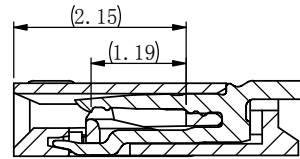
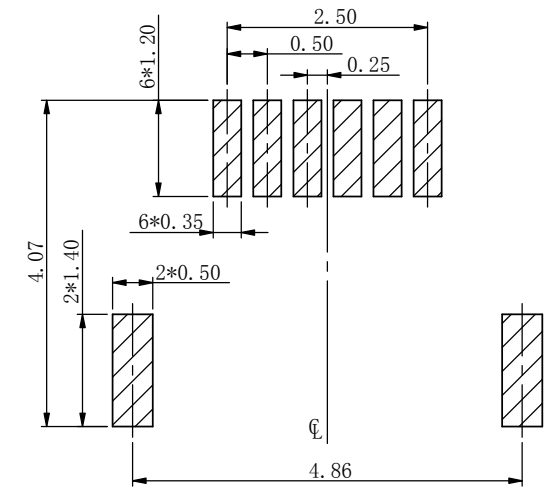
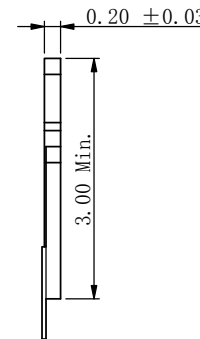
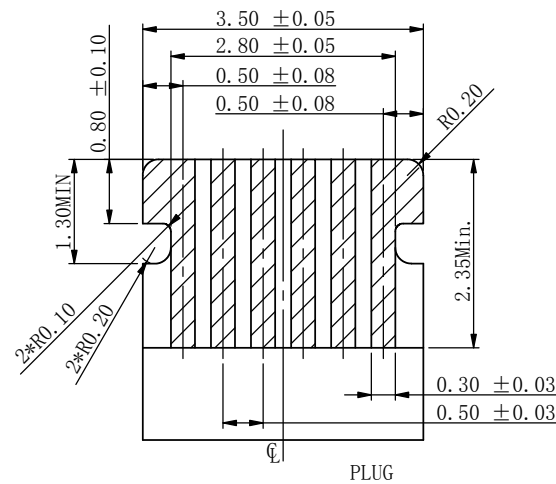
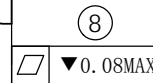
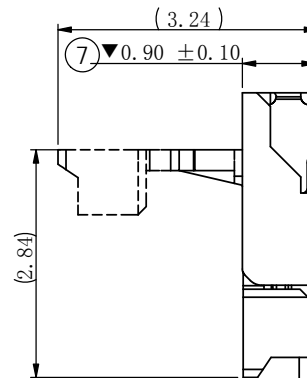
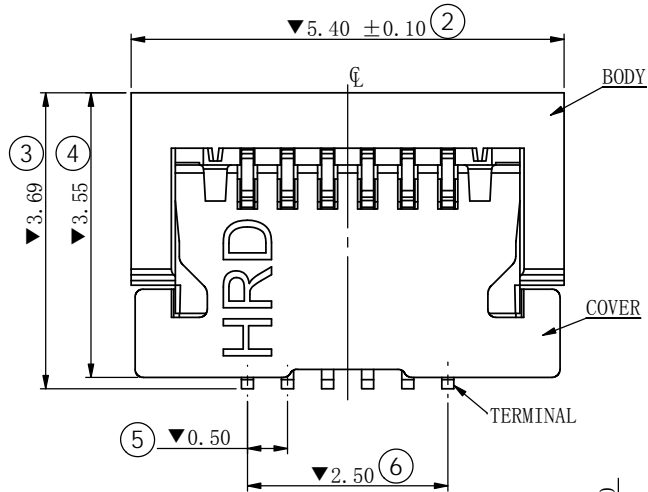
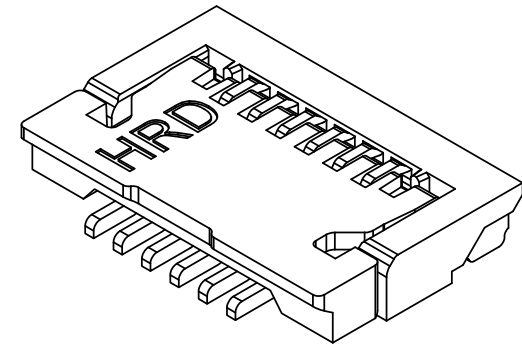


INSERTION DEPTH OF FPC



剖面 A-A

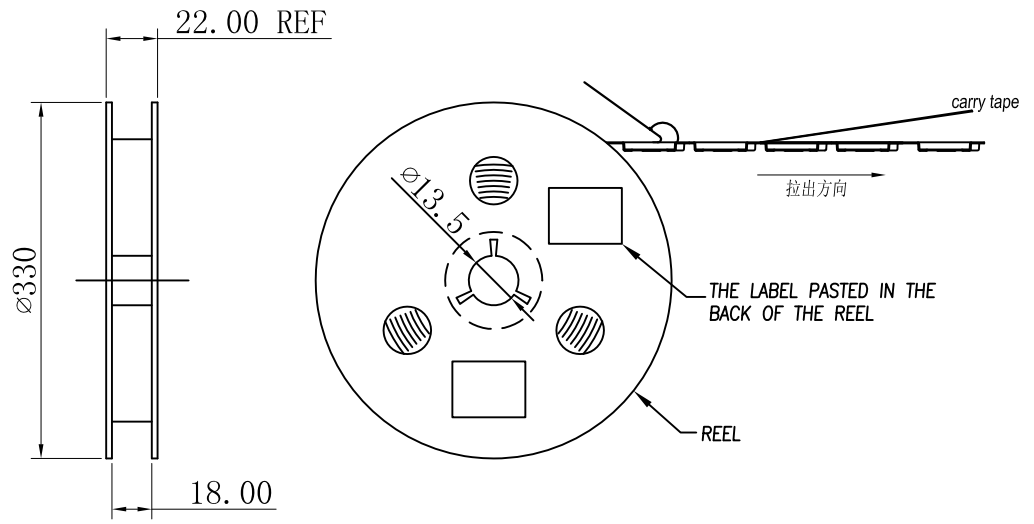
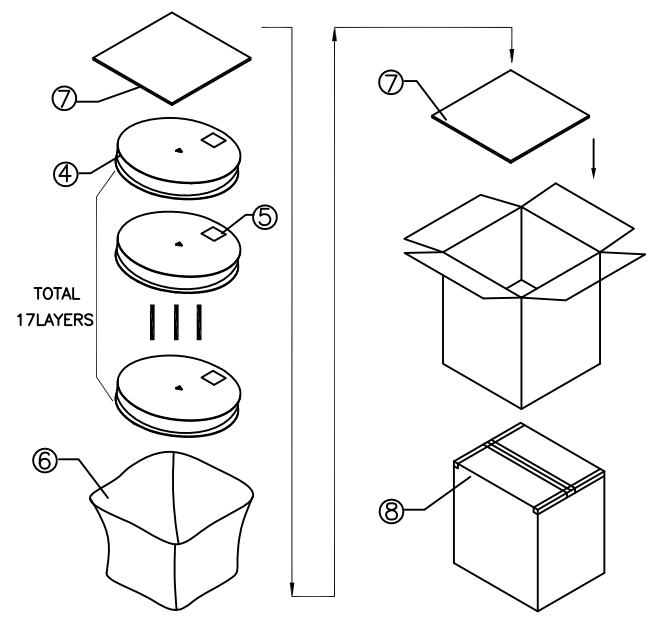
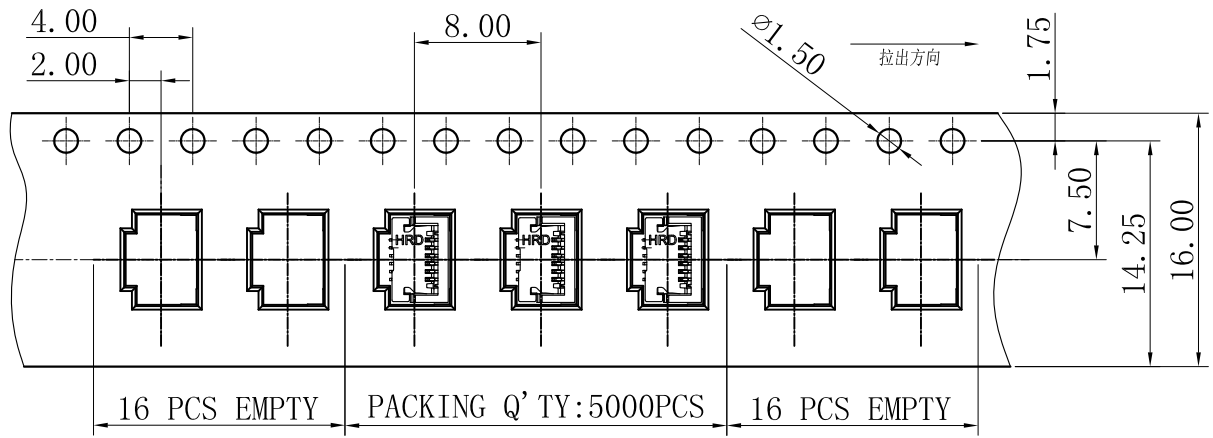


P. C. B LAYOUT  
TOLERANCE: ±0.05

NOTES:

- MATERIAL:  
 BODY: PA, WHITE, UL 94-HB  
 COVER: PA, BLACK, UL 94-V0  
 TERMINAL: C5210, T=0.15mm  
 PEG: C5210, T=0.20mm
- FINISH:  
 TERMINAL: 50μMIN Ni UNDERPLATING OVERALL  
 GOLD FLASH ON CONTACT AREA  
 PEG: 50μMIN Ni UNDERPLATING OVERALL  
 Sn 60-200μ PLATED ON SOLDER TAIL AREA
- ALL DIMENSIONS MARKED ▼ MUST BE CONTROLLED BY QC

				UNITS: mm	GENERAL TOLERANCE		DRAW:	PART NO: ZF1-AB06F10A
				DATE: 04/21/2017	X. ±0.25	X." ±2.00'	CHECKED:	TITLE: 0.50 PITCH FPC CONNECT 0.9H
				SCALE: 15:1	.XX ±0.15	.XX' ±0.50'	APPROVE:	DRAWING NO:
					.XXX ±0.10	.XXX' ±0.10'		
A		NEW	04/21/2017	SHEET: 1/1	MATERIAL:		昆山捷皇电子精密科技有限公司 HONGRIDA ELECTRONIC TECHNOLOGY CO., LTD.	
REV.	ECN NO.	DESCRIPTION	DATE	REV. A	FINISH: SEE NOTE			



BOM:

NO.	NAME	P/N	SPEC.	Q'TY
①	ZF-CONN.	ZF1-AB06F10A	PITCH=0.50mm 6PIN ZF CONN.	85000PCS
②	CARRY TAPE	R16-ZF106010	PS,W=16.0,P=8.0	684.352m
③	COVER TAPE	C16-01000004	PE,W=13.3,T=0.05	684.352m
④	REEL	P16-01100000	$\phi 330,H=16.0$	17PCS
⑤	LABEL	L01-01000000		17PCS
⑥	PE袋	G01-00907007	900*700	1PCS
⑦	隔板	Y03-40036000	400*360*3	2PCS
⑧	纸箱	W01-01353539	350*350*390	1PCS

				UNITS: mm	GENERAL TOLERANCE		DRAW:	PART NO: P-ZF1-AB06F10A
				DATE: 05/28'14	.X ±0.30	.X° ±2.00°	CHECKED:	TITLE: 0.50PITCH ZF CONN. PACKING
				SCALE: N/A	.X ±0.20	.X° ±1.00°	APPROVE:	DRAWING NO:
					.XX ±0.10	.XX° ±0.50°		
					.XXX ±0.05	.XXX° ±0.10°		
A		INITIAL RELEASE	05/28'2014	SHEET: 1/1	MATERIAL: SEE NOTE		昆山捷皇电子精密科技有限公司 HRD TECHNOLOGY CO.,LTD.	
REV.	ECN NO.	DESCRIPTION	DATE	REV. A	FINISH: SEE NOTE			