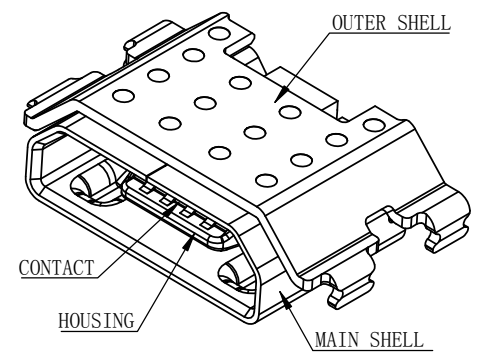
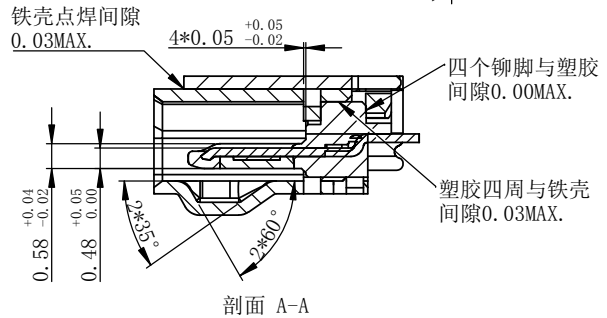
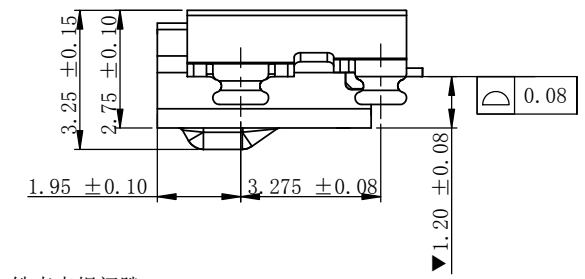


RECOMMENDED PCB LAYOUT
TOLERANCE: ± 0.05



CONTACT NO.	SIGNAL NO.
1	VBUS
2	D-
3	D+
4	ID
5	GND
SHELL	SHIELD

- NOTES:
- MATERIAL:
HOUSING: HPPA, BLACK
CONTACT: C2680, T=0.20mm
MAIN SHELL: SUS304-3/4H, T=0.30mm
OUTER SHELL: SUS304-3/4H, T=0.30mm
 - FINISH:
CONTACT: 15u" Au MIN PLATED ON CONTACT AREA
1u" Au MIN PLATED ON SOLDER AREA
50u" Ni MIN UNDERPLATED OVERALL
MAIN SHELL: 40u" Ni MIN UNDERPLATED OVERALL
OUTER SHELL: 40u" Ni MIN UNDERPLATED OVERALL
1u" Au MIN PLATED ON SOLDER AREA
 - PRODUCT SPECIFICATIONS:
3-1 VOLTAGE: 12V DC.
3-2 CURRENT: PIN2/PIN3/PIN4: 1A MAX.;
PIN1/PIN5: 3A MAX.
(DOME板上PIN1&PIN5走线宽度要大于3.0mm;
测试时PIN1&PIN5通电测试, 其他PIN不需要测试;
测试时充电线需要使用22AWG)
3-3 OPERATION TEMPERATURE: -40° TO +85°.
3-4 INSULATION RESISTANCE: 1000MΩ MIN.
3-5 DIELECTRIC WITHSTANDING VOLTAGE: 500V AC FOR 1 MINUTE.
3-6 CONTACT RESISTANCE: 30mΩ MAX.
3-7 INSERT FORCE: 6~20N.
3-8 EXTRACT FORCE: 8~20N.
3-9 DURABILITY: 10000 CYCLES.
3-10 SHELL LASER WELDING STRENGTH: 100N MIN.
3-11 SALT SPRAY: 5% SALT WATER CONCENTRATION WITH
35°C FOR 48H. (TERMINAL CONTACT AREA)
3-12 PERSPIRATION RESISTANCE: SWEAT ACIDITY,
ALKALINITY, 55°C AND RH95% FOR 48H. (TERMINAL CONTACT AREA)



				UNITS: mm	GENERAL TOLERANCE		DRAW:	PART NO: U82-0B05C160
				DATE: 11/13/2019	X. ±0.25	X' ±2.00'	CHECKED:	NAME: MICRO USB 5PIN 板上1.55mm
				SCALE: 8/1	.XX ±0.15	.XX' ±0.50'	APPROVE:	DRAWING NO: C-U82-0000
				SHEET: 1/1	TITLE: CUSTOMER DRAWING			
REV.	ECN NO.	DESCRIPTION	DATE	REV.	FINISH: SEE NOTE			
A		NEW	11/13/2019	A				

昆山捷皇电子精密科技有限公司
HONGRIDA ELECTRONIC TECHNOLOGY CO., LTD.

