

D/C PART NO.:

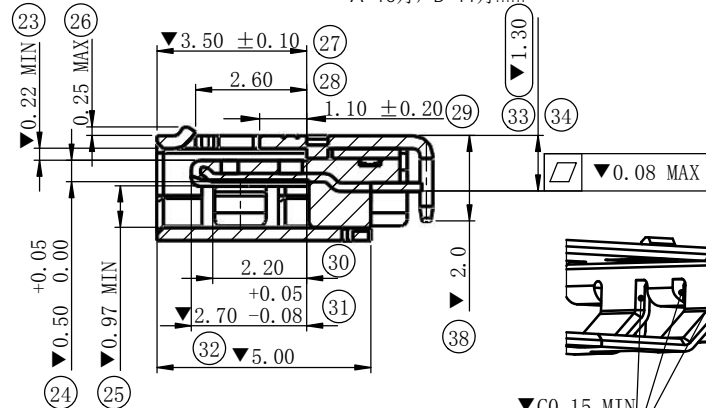
H=HRD
 X X X X X X
 电镀: A=Au 15U"
 B=Au 30U"
 年: 7=2017年
 8=2018年
 9=2019年
 线别: A=A线、B=B线.....
 班别: 1=白班
 2=夜班
 日: 1=1日, 2=2日.....
 A=10日, B=11日.....
 (WITH OUT I, O, Z)
 月: 1=1月, 2=2月.....
 A=10月, B=11月.....

RECOMMENDED PCB LAYOUT
 TOLERANCE: ±0.05
 STENCIL THICKNESS 0.10mm

CONTACT NO.	SIGNAL NO.
1	VBUS
2	D-
3	D+
4	ID
5	GND
SHELL	SHIELD

NOTES:

- MATERIAL:
 HOUSING: LCP (E471I 全新料)
 CONTACT: COPPER ALLOY (C7025-TM03)
 SHELL: STAINLESS STEEL (SUS304-3/4H).
- FINISH:
 CONTACT: 30u" AU MIN PLATED ON CONTACT AREA
 1u" AU MIN ON SOLDER AREA
 50u" NI MIN UNDERPLATED OVERALL
 SHELL: 50u" NI MIN UNDERPLATED OVERALL
 70~110u" MATTE TIN PLATED OVERALL
- PRODUCT SPECIFICATIONS:
 3-1 Voltage: 12V AC
 3-2 Current: 3A.
 3-3 OPERATION TEMPERATURE: -45° TO +85°
 3-4 STORAGE TEMPERATURE: -45° TO +85°
- ALL DIMENSIONS MARKED ▼ MUST BE CONTROLLED BY QC.
- GP PASSED ACCORD WITH ROHS STANDARD.
- ALL DIMENSIONS MARKER (XX) MUST BE MEASURE BY FAI.



剖面 W-W

DESCRIPTION	MATERIAL	FINISH	Q' TY
SHELL	STAINLESS STEEL (SUS304-3/4H, T=0.30mm)	50u" NI MIN UNDER PLATED OVERALL 70~110u" MATTE TIN PLATED OVERALL	1
CONTACT	COPPER ALLOY (C7025-TM03, T=0.20mm)	30u" AU MIN ON CONTACT 1u" AU MIN ON SOLDER AREA 50u" NI MIN UNDER PLATED OVERALL	5
HOUSING	LCP E471I, BLACK, UL 94V-0		1

REV.	ECN NO.	DESCRIPTION	DATE	UNITS: mm	GENERAL TOLERANCE	DRAW:	PART NO:
E	E1804108A	铁壳尾部 插脚尺寸设定	04/13/2018	mm	X. ±0.30 X' ±2.00	CHECKED:	U58-CB05D250
D	E1803066A	铁壳尾部 插脚增加尺寸管控	03/06/2018	DATE: 08/28/2017	.X ±0.20 .X' ±1.00	APPROVE:	NAME: MICRO USB 5PIN 板上1.30mm 全插--直边
C	E1801038A	端子材料变更	2/24/2018	SCALE: 8/1	.XX ±0.10 .XXX ±0.05		DRAWING NO: C-U58-0000_E
B	E1712462A	增加铆压深度管控	12/25/2017	SHEET: 1/1	TITLE: CUSTOMER DRAWING		
REV.	ECN NO.	DESCRIPTION	DATE	REV. A	FINISH: SEE NOTE		



昆山捷皇电子精密科技有限公司
 HONGRIDA ELECTRONIC TECHNOLOGY CO., LTD.