

RECOMMENDED PCB LAYOUT
TOLERANCE: ±0.05
STENCIL THICKNESS 0.10mm

NOTES:
1. MATERIAL:
HOUSING: LCP (E471I 全新材料)
CONTACT: COPPER ALLOY (C2680-H)
SHELL: STAINLESS STEEL (SUS304-3/4H)

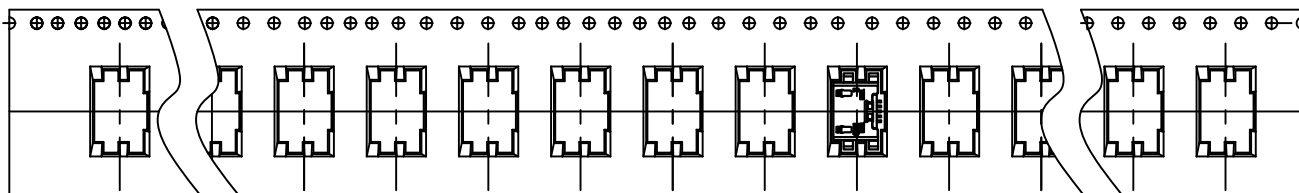
2. FINISH:
CONTACT: 15u" AU MIN PLATED ON CONTACT AREA
1-3u" ON SOLDER AREA
50u" NI MIN UNDERPLATED OVERALL
SHELL: 50u" NI MIN UNDERPLATED OVERALL
70~110u" MATTE TIN PLATED OVERALL

3. PRODUCT SPECIFICATIONS:
3-1 Voltage: 12V AC
3-2 Current: 3A.
3-3 USB connector SPEC need meet CTI ≥ 400
3-4 OPERATION TEMPERATURE: -45° TO +85°
3-5 STORAGE TEMPERATURE: -45° TO +85°

4. ALL DIMENSIONS MARKED ▼ MUST BE CONTROLLED BY QC.
5. GP PASSED ACCORD WITH ROHS STANDARD.
6. ALL DIMENSIONS MARKER (XX) MUST BE MEASURE BY FAI.

DESCRIPTION	MATERIAL	FINISH	Q' TY
SHELL	STAINLESS STEEL (SUS304-3/4H, T=0.30mm)	50u" NI MIN UNDER PLATED OVERALL 70~110u" MATTE TIN PLATED OVERALL	1
CONTACT	COPPER ALLOY (C2680-H, T=0.20mm)	15u" MIN AU ON CONTACT 1-3u" ON SOLDER AREA 50u" NI MIN UNDER PLATED OVERALL	5
HOUSING	PA10T-R630NH, BLACK, UL 94 V-0		1

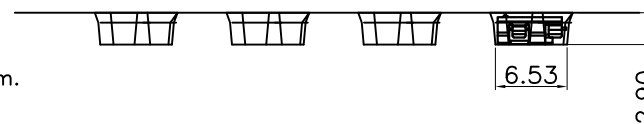
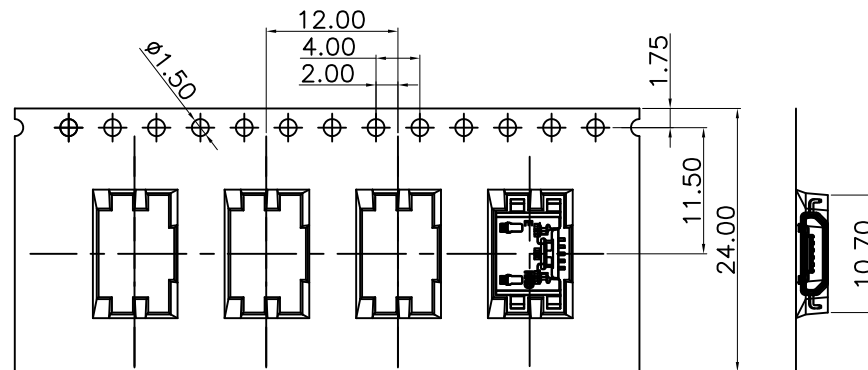
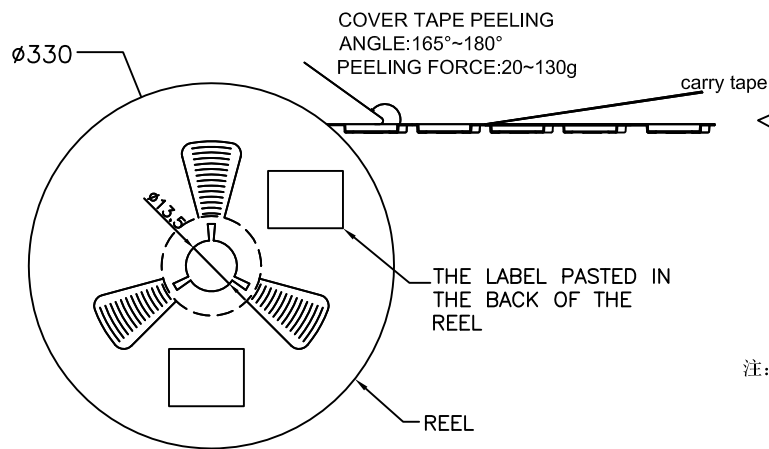
REV.	ECN NO.	DESCRIPTION	DATE	UNITS: mm	GENERAL TOLERANCE	DRAW:	PART NO:
A	E1712430A	塑胶材料变更	12/04/2017	DATE: 10/10/2016	X. ±0.30 X' ±0.20 .XX ±0.10 .XX ±0.05	CHECKED:	U30-EB05C250
B				SCALE: 10/1	X. ±2.00 X' ±1.00 .XX ±0.50	APPROVE:	TITLE: MICRO USB 5PIN 板上1.60mm 全插--直边
		NEW	10/10/2016	SHEET: 1/1	MATERIAL: SEE NOTE		DRAWING NO:
				REV. A	FINISH: SEE NOTE		



16PSC EMPTY CARRIER TAPE

PACKING Q'TY:1800PCS

16PSC EMPTY CARRIER TAPE



- 注: 1. 模具开口单边需成30度 / 深0.50mm的倒角
2. 所有未注拔模角度5度
3. 设定模数229模
4. 10个边孔的累计公差不能超过±0.2mm.
5. 材料规格: PS 透明抗静电, 厚度 0.30mm.
6. 13英寸卷轮卷装长度:21.984米.
7. 13英寸卷轮包装零件总颗数:1800PCS.
8. 所有尺寸设计参照EIA-481-C-2003.
9. 载带在250mm长度以内最大弯曲度不超过1mm.

U30-EB05C250	1800PCS	13	23400	350*350*390
PART NO.	Q'TY/REEL	REEL/GARTON	Q'TY/CARTON	CATTON SIZE

				UNITS: mm	GENERAL TOLERANCE	DRAW:	PART NO: P-U30-EB05C250
				DATE: 10/10/16	X. ±0.30 .X ±0.20 .XX ±0.10	X' ±2.00' .X' ±1.00' .XX' ±0.50'	CHECKED:
				SCALE: 1/1			TITLE: MICRO USB 5 PIN
				SHEET: 2/2	MATERIAL: SEE NOTE		DRAWING NO:
REV. A	ECN NO.	DESCRIPTION	DATE	REV. A	FINISH: SEE NOTE	昆山捷皇电子精密科技有限公司 HONGRIDA TECHNOLOGY CO.,LTD.	