

A

B

C

D

E

F

A

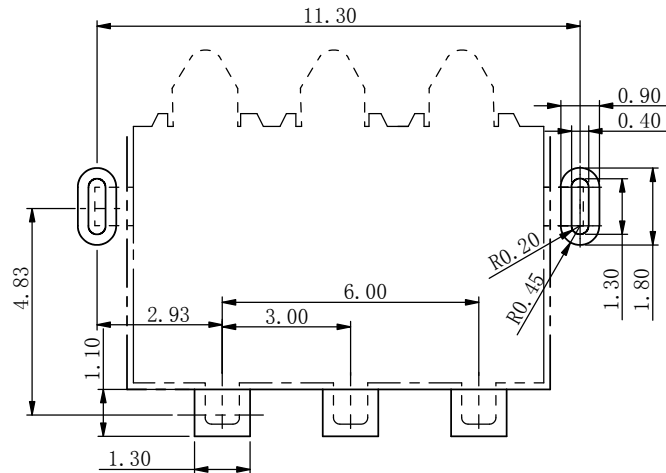
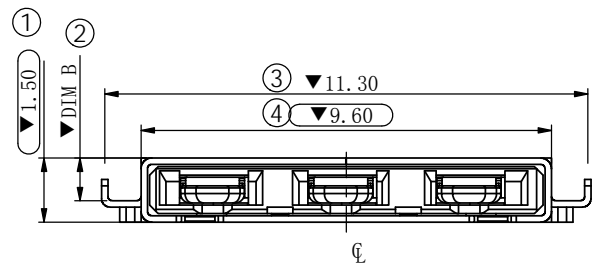
B

C

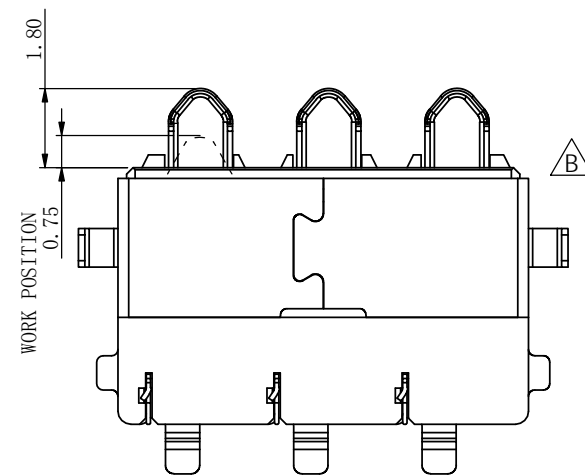
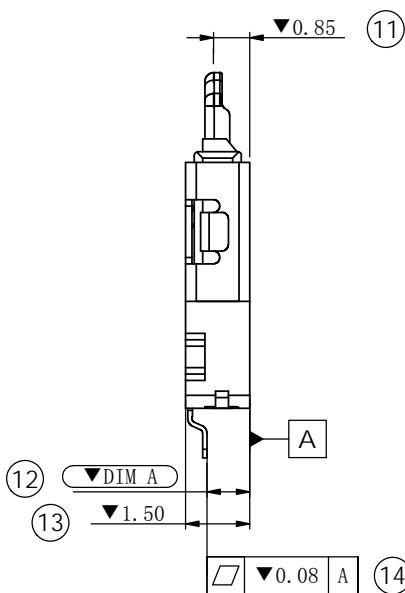
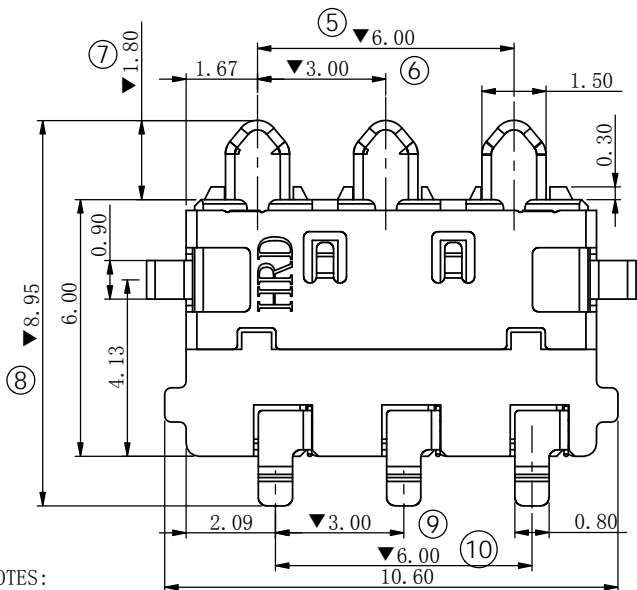
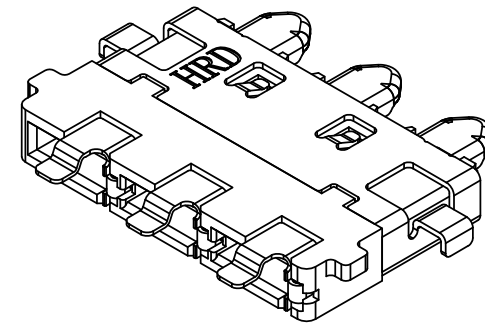
D

E

F




P.C.B LAYOUT
TOLERANCE: ±0.05



NOTES:
 1. MATERIAL:
 BODY:HI-TEMP. PLASTIC, BLACK, UL 94V-0
 TERMINAL:COPPER ALLOY, T=0.12mm
 SHELL:STAINLESS STEEL T=0.15mm
 2. GP PASSED ACCORD WITH HRD-RoHS-219 STANDARD
 3. FINISH:
 TERMINA:50U" NI MIN UNDERPLATED OVERALL
 GOLD FLASH ON CONTACT AREA
 TIN 60-200U" PLATED ON SOLDERTAIL AREA
 SHELL:50U" NI MIN UNDERPLAED OVERALL
 GOLD FLASH ON SOLDERTAIL AREA
 4. ALL DIMENSIONS MARKED (X) MUST BE CONTROLLED BY QC
 ALL DIMENSIONS MARKED (XX) MUST BE MEASURE BY FAI.

B32-AB03F151	1.00	1.00
B32-AB03F158	0.80	0.80
P/N	DIM A (mm)	DIM B (mm)

				UNITS: mm	GENERAL TOLERANCE		DRAW:	PART NO: B32-AB03F15X
				DATE: 11/05/2014	X. ±0.25	X' ±2.00'	CHECKED:	TITLE: 总高度1.50H 测压式 沉板1.00H/0.80H电池座
B	E1505207A	铁壳改镀金	05/21/2015	SCALE: 10:1	.XX ±0.10	.XX' ±0.50'	APPROVE:	DRAWING NO:
A		NEW	11/05/2014	SHEET: 1/1	.XXX ±0.05	.XXX' ±0.10'	 昆山捷皇电子精密科技有限公司 HONGRIDA ELECTRONIC TECHNOLOGY CO., LTD.	
REV.	ECN NO.	DESCRIPTION	DATE	REV. B	FINISH: SEE NOTE			