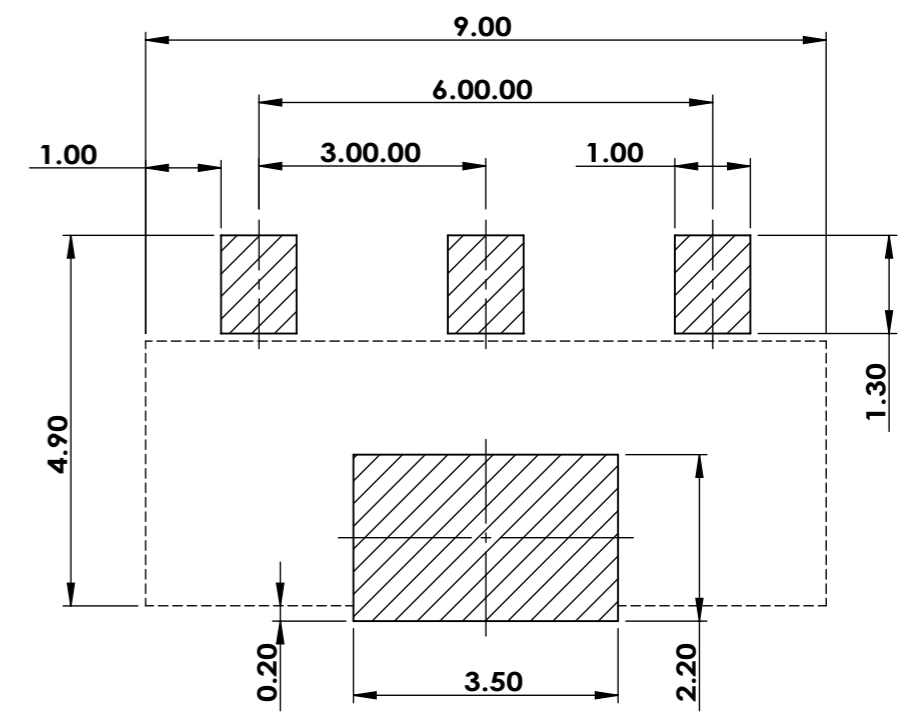
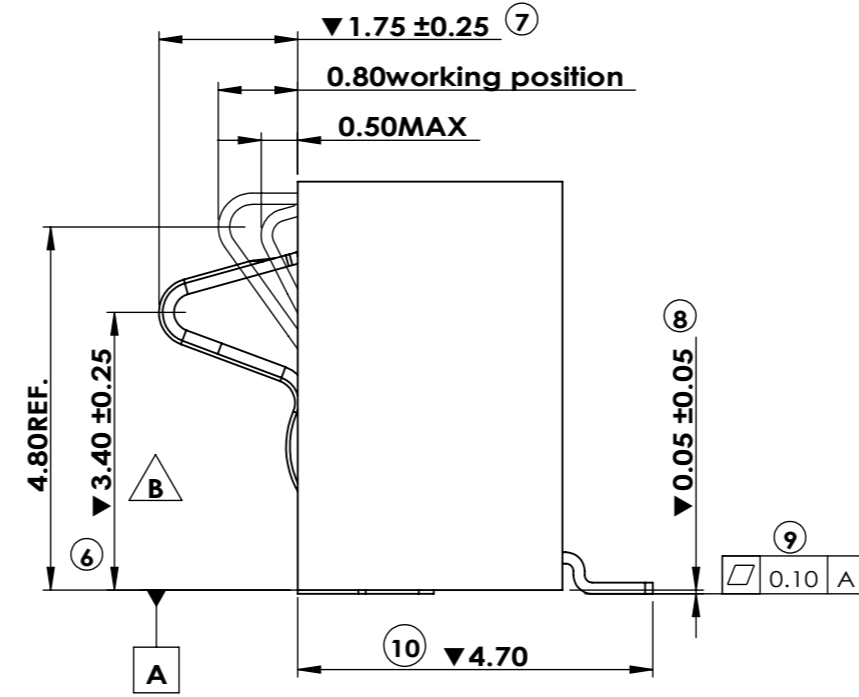
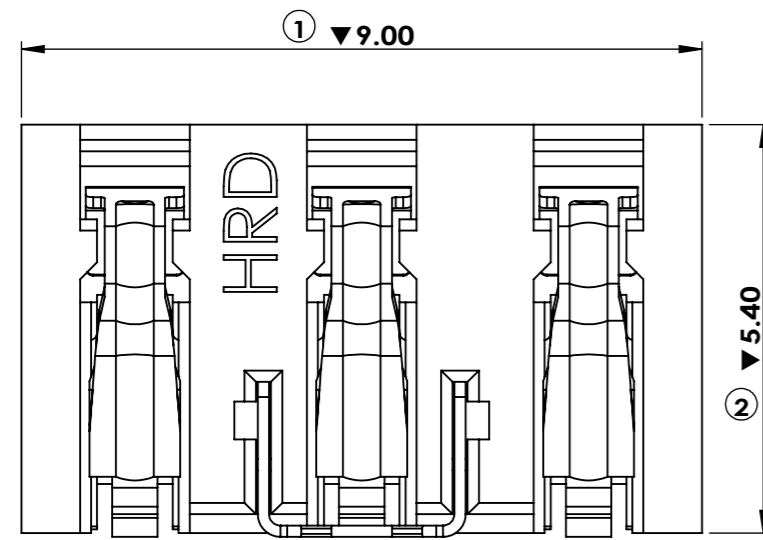


1 2 3 4 5 6 7 8

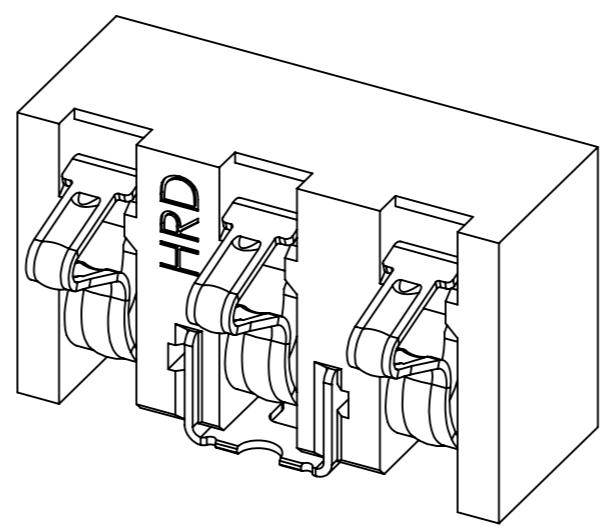
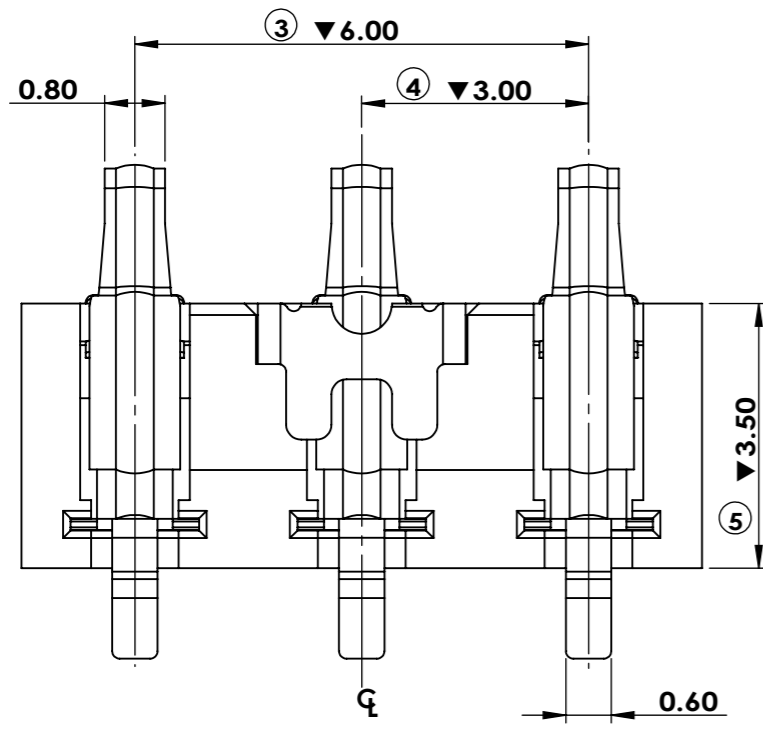
A



RECOMMENDED P.C.B.LAYOUT
TOLERANCE: ±0.05mm

B

C




- NOTES:**
- MATERIAL:**
HOUSING: LCP E471I, BLACK, UL 94V-0
CONTACT: C5210-EH, T=0.15mm.
PEG: Stainless steel, T=0.15mm.
 - FINISH:**
CONTACT: 50u" MIN Ni UNDERPLATING OVERALL
GOLD FLASH ON CONTACT AREA AND
SOLDER AREA
PEG: 50u" MIN Ni UNDERPLATING OVERALL,
80u" MIN Tin PLATING ON ALL SURFACE.
 - SPECIFICATIONS:**
3-1. Rated Current: 3A
3-2. Rated Voltage: 12V AC
3-3. Operating temperature: -30α to 85α
3-4. Storage temperature: -30α to 85α
 - GP PASSED ACCORD WITH RoHS STANDARD.
 - ALL DIMENSIONS MARKED ▼ MUST BE CONTROLLED BY QC.

D

E

F

				UNITS: mm	GENERAL TOLERANCE		DRAW:	PART NO: B29-BB03F540
D	E2007008R	升级版	08/04/2020	DATE: 04/23/12	X. ±0.25	X.° ±2.00°	CHECKED:	NAME: 3 PIN 3.00mm PITCH BATTERY CONN. (WITHOUT POST)
C	E1703002A	更改图框及 增加材质详细内容	03/06/2017	SCALE: 10 : 1	.X ±0.20	.X° ±1.00°	APPROVE:	DRAWING NO: C-B29-5400
B	E1610428A	根据实物更新尺寸	10/10/2016	SHEET: 1 / 1	.XX ±0.15	.XX° ±0.50°	 鸿日达科技股份有限公司 HONGRIDA ELECTRONIC TECHNOLOGY CO.,LTD.	
REV.	ECN NO.	DESCRIPTION	DATE	REV. A	.XXX ±0.10	.XXX° ±0.10°		

1 2 3 4 5 6 7 8