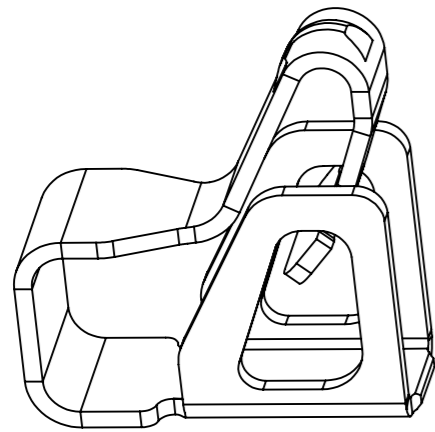
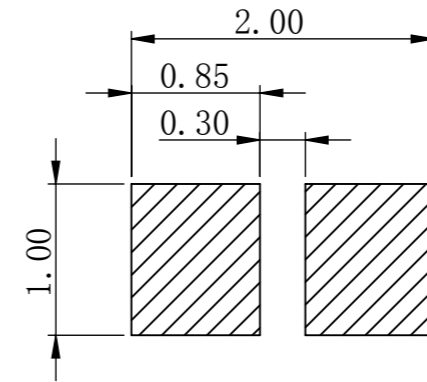
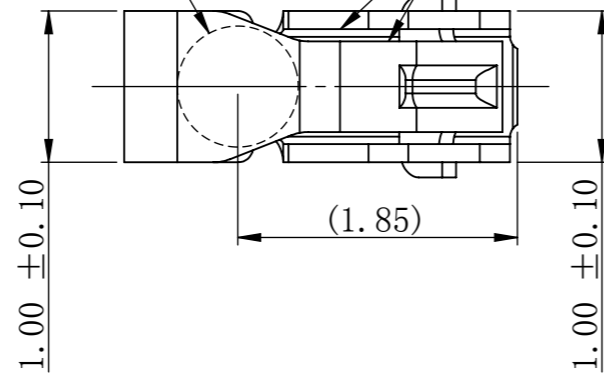


1 2 3 4 5 6 7 8

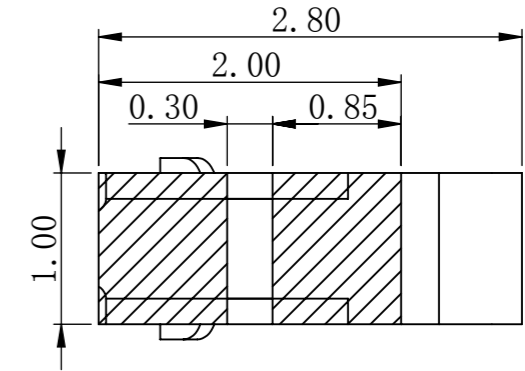


3D VIEW

Ø0.80 PICK& PLACE AREA
下压最大工作位置
两侧护臂和弹臂不接触

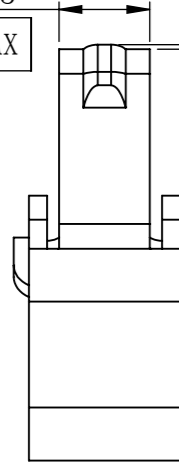


RECOMMENDED METAL MASK
TOLERANCE ±0.05MM

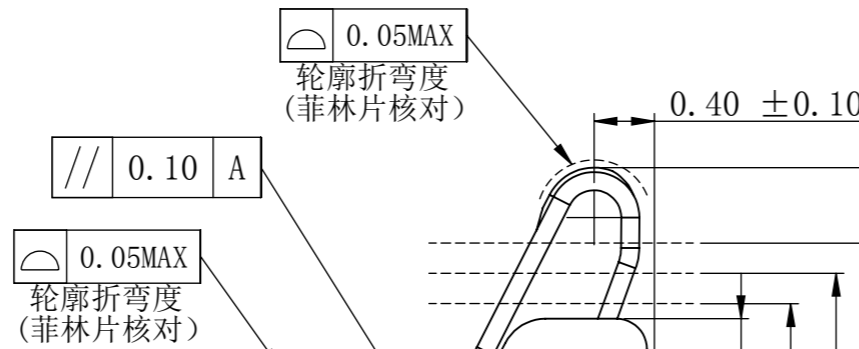


RECOMMENDED PCB LAYOUT
TOLERANCE ±0.05MM

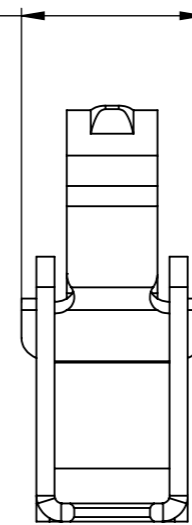
0.60 ± 0.05
0.08MAX



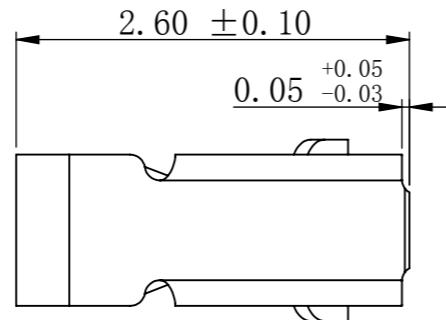
以焊接面为基准, 0.60两侧
最高点归零后测凸包高度



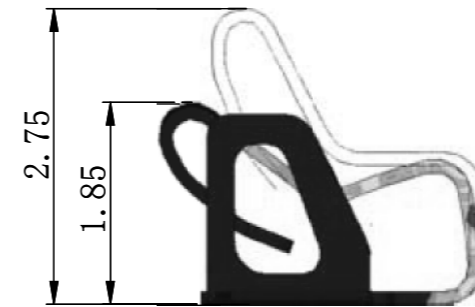
1.20 ± 0.10



A
弹高下压到最大工作
高度, 底部不接触



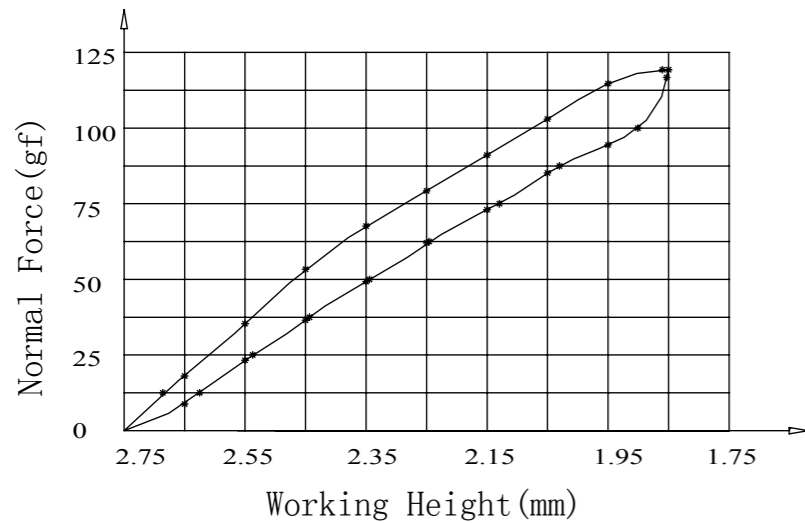
1.85MAX WORKING POSITION
2.05WORKING POSITION
2.25MIN WORKING POSITION



STATE AT MAX COMPRESSION
FEA SIMULATION

NOTES:

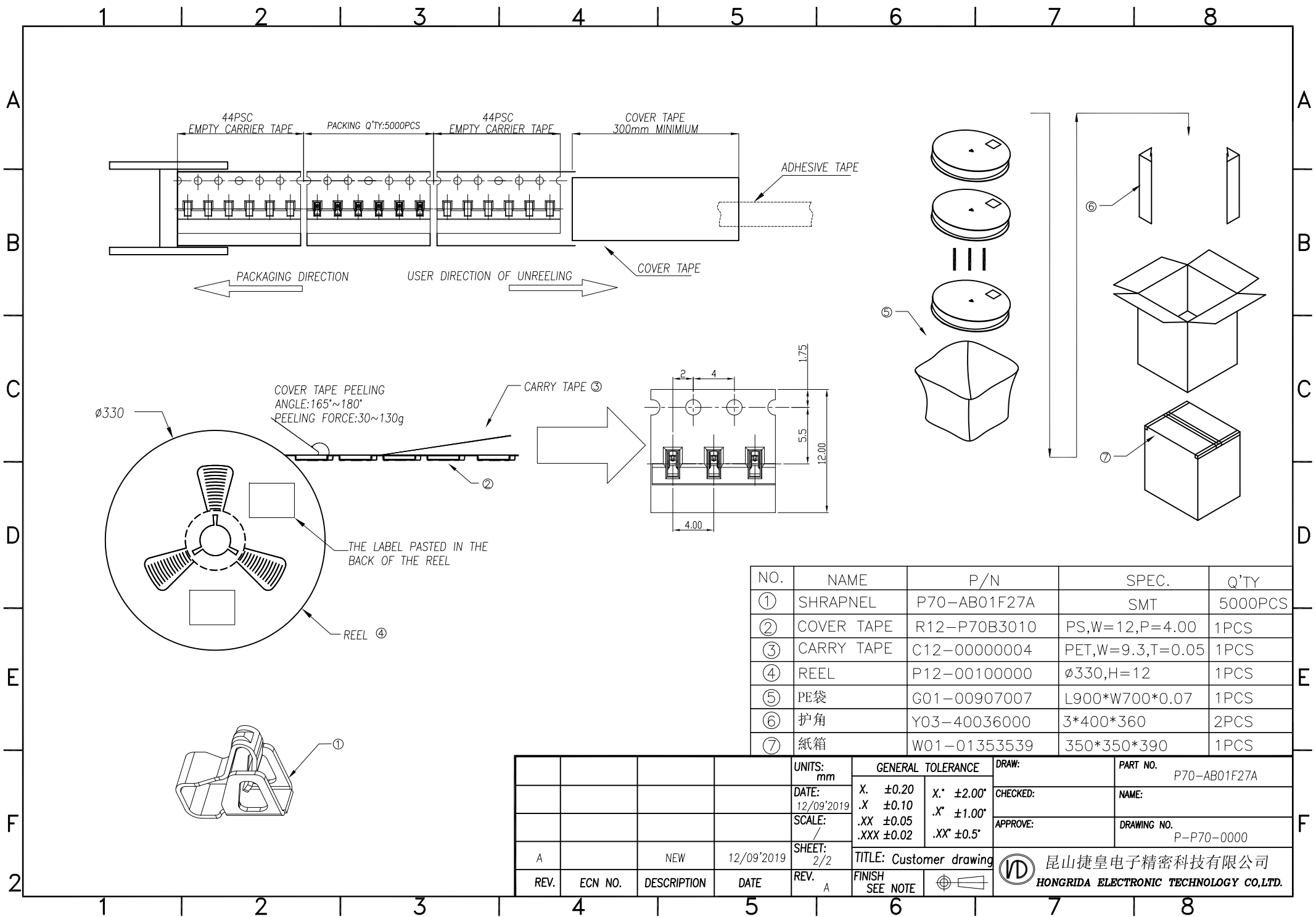
- MATERIAL:
1-1: YCUT-FX-EH, T=0.12mm
- FINISH:
2-1: 4u"MIN. Au PLATING ON CONTACT AREA,
1u"MIN. Au PLATING ON SOLDER AREA,
50u~120u" NICKEL UNDERPLATING PVER ALL.
2-2: DIMENSIONS WITHOUT TOLERANCE PLEASE REFER
TO TOLERANCE TABLE, STRUCTURE WITHOUT
DIMENSIONS PLEASE REFER TO 3D DRAWING.
2-3: DIMENSIONS OF PCB PAD AND STENCIL ARE FOR
REFERENCE ONLY, CUSTOMERS CAN MODIFY IT
BY THEIR OWN.
- SPECIFICATIONS:
3-1. RATING CURRENT: 2A.
3-2. RATING VOLTAGE: 10V.
3-3. CONTACT RESISTANCE: 30mΩ MAX. AFTER
DURABILITY ENVIRONMENT: ΔR=20mΩ MAX.
3-4. OPERATING TEMPERATURE: -55° C~+85° C.
- DURABILITY: 1500 CYCLES.
- PACKING SPECIFICATION: REEL&TAPE.
- COMPLIANT WITH RoHS STANDARD.
- SALT SPRAY TEST: 48H.



				UNITS: mm	GENERAL TOLERANCE		DRAW:	PART NO: P70-AB01F27A
				DATE: 09/09/2019	X. ±0.25	X° ±5.00°	CHECKED:	NAME: SPK天线弹片
B	E1909567A	依客户要求更新图面	09/25/2019	SCALE: 20/1	.X ±0.15	.X° ±3.00°	APPROVE:	DRAWING NO: C-P70-0000
A		NEW	09/12/2019	SHEET: 1/2	.XX ±0.10	.XX° ±1.00°		
REV.	ECN NO.	DESCRIPTION	DATE	REV. A	.XXX ±0.05	.XXX° ±0.50°		

昆山捷皇电子精密科技有限公司
HONGRIDA ELECTRONIC TECHNOLOGY CO., LTD.

1 2 3 4 5 6 7 8



NO.	NAME	P/N	SPEC.	Q'TY
①	SHRAPNEL	P70-AB01F27A	SMT	5000PCS
②	COVER TAPE	R12-P70B3010	PS,W=12,P=4.00	1PCS
③	CARRY TAPE	C12-00000004	PET,W=9.3,T=0.05	1PCS
④	REEL	P12-00100000	φ330,H=12	1PCS
⑤	PE袋	G01-00907007	L900*W700*0.07	1PCS
⑥	护角	Y03-40036000	3*400*360	2PCS
⑦	纸箱	W01-01353539	350*350*390	1PCS

				UNITS: mm	GENERAL TOLERANCE		DRAW:	PART NO. P70-AB01F27A
				DATE: 12/09'2019	X. ±0.20	X' ±2.00'	CHECKED:	NAME:
				SCALE: /	.X ±0.10	.X' ±1.00'	APPROVE:	DRAWING NO. P-P70-0000
				SHEET: 2/2	.XX ±0.05	.XX' ±0.5'	TITLE: Customer drawing	
A		NEW	12/09'2019	REV. A	FINISH SEE NOTE	昆山捷皇电子精密科技有限公司 HONGRIDA ELECTRONIC TECHNOLOGY CO.,LTD.		