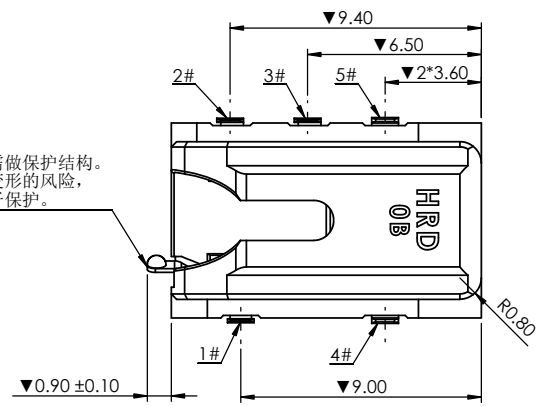


弹片外漏，整机需做保护结构。
整机组装时有刮变形的风险，
建议增加塑胶塞子保护。



- NOTES:
- MATERIAL:
HOUSING: NYLON-9T, BLACK, UL 94
TERMINAL: COPPER ALLOY OR STAINLESS STEEL
 - FINISH:
CONTACT: 3u" Min Au PLATED ON CONTACT
1u" Min Au PLATED ON SOLDER TAILS AREA
50u" MIN NI UNDER PLATED OVER ALL
 - ALL DIMENSIONS MARKED (X) MUST BE MEASURED BY FAI
ALL DIMENSIONS MARKED (V) MUST BE CONTROLLED EVERYDAY BY QC.
 - PRODUCT SPECIFICATIONS:
4-1 WITHSTANDING: 500VAC/MINUTE
4-2 CONTACT RESISTANCE: 50 MILLIOHM (initial) Max.
4-3 INSULATION RESISTANCE: 100 MEGOHM Min.
4-4 MATING FORCE: 8-20 N (BTFORE DURABILITY)
6-21 N (AFTER DURABILITY)
4-5 UNMATING FORCE: 8-20N (BTFORE DURABILITY)
6-21 N (AFTER DURABILITY)
4-6 OPERATION TEMPERATURE: -25° TO +85°
4-7 STORAGE TEMPERATURE: -25° TO +85°
4-8 DURABILITY: 5000 CYCLES

				UNITS: mm	GENERAL TOLERANCE		DRAW:	PART NO:
				DATE: 03/21/2019	X. ±0.30	X." ±2.00'	CHECKED:	PH137-0B12F36M
				SCALE: 5/1	.X ±0.20	.X" ±1.00'	APPROVE:	NAME: Ø3.50MM PHONE JACK CONN.
				SHEET: 1/1	.XX ±0.15	.XX" ±0.50'		DRAWING NO: C-PH137-0000
REV.	ECN NO.	DESCRIPTION	DATE	REV.	FINISH: SEE NOTE		鸿日达科技股份有限公司 HONGRIDA ELECTRONIC TECHNOLOGY CO., LTD.	