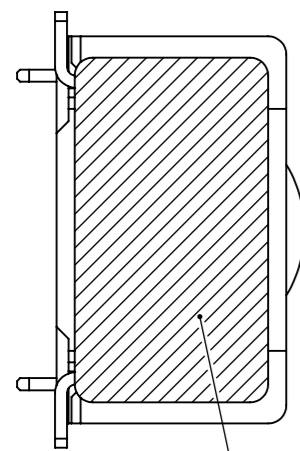
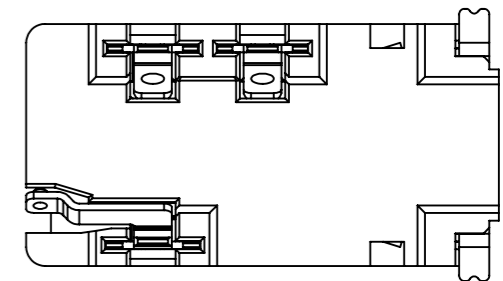
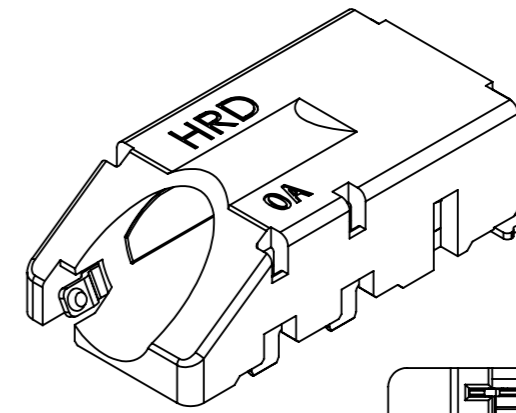
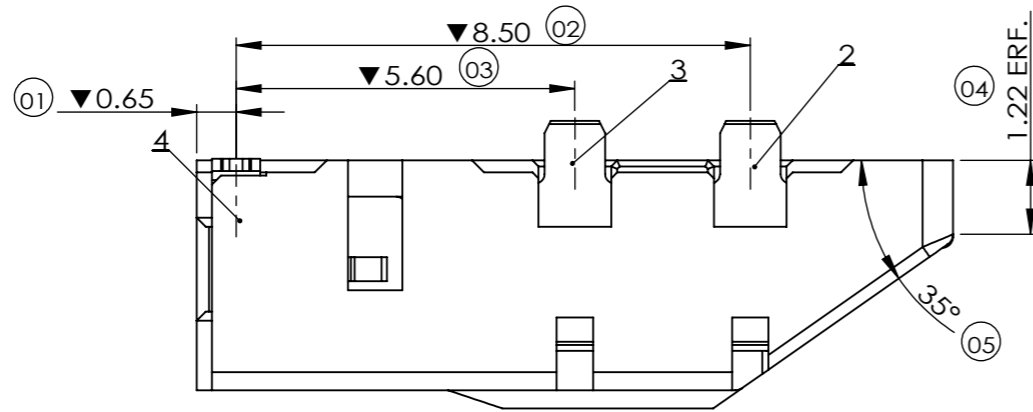
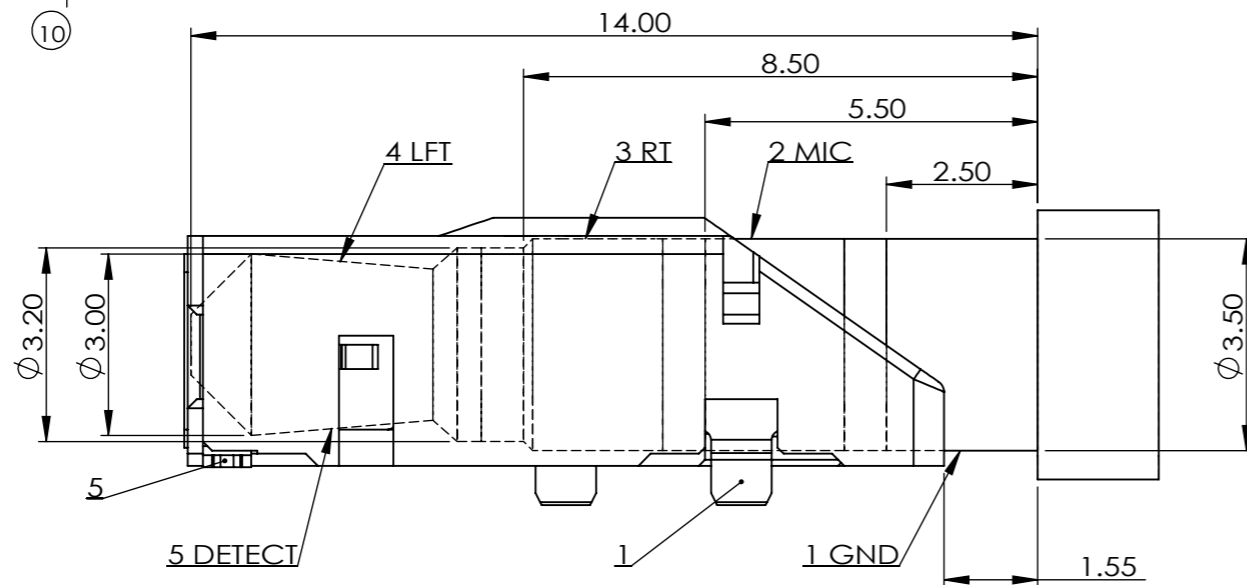
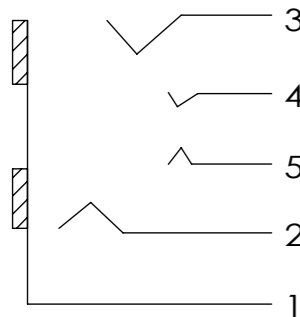
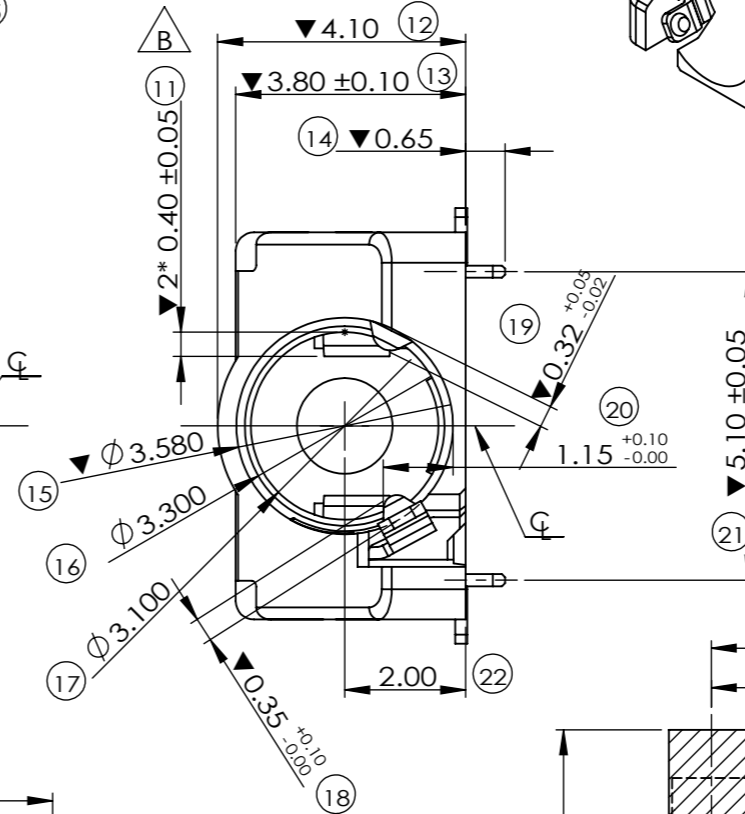
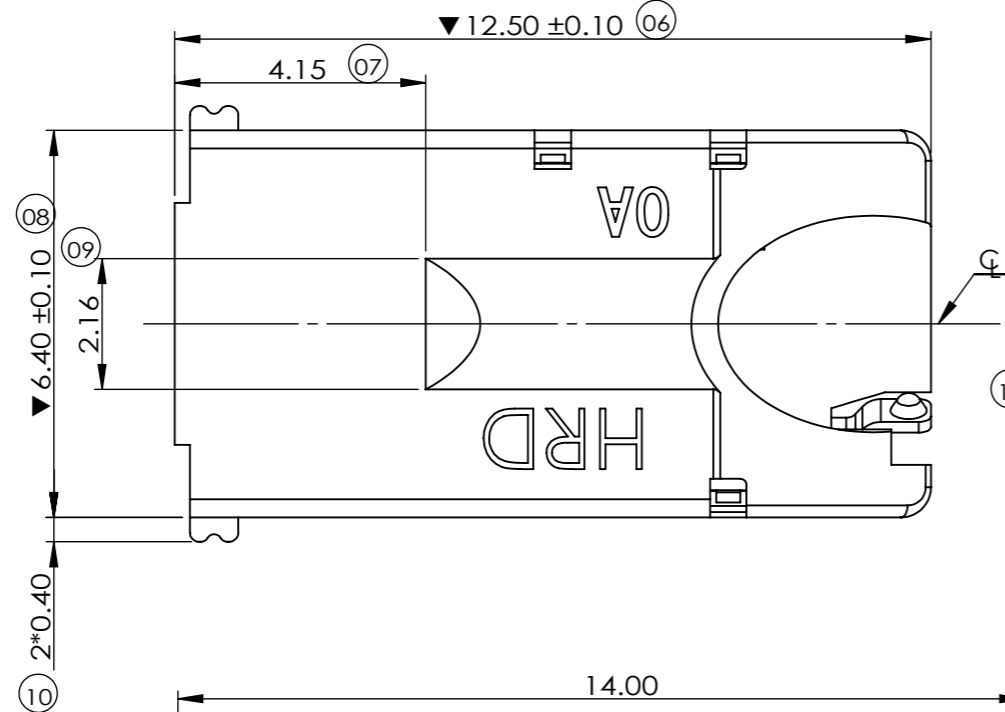


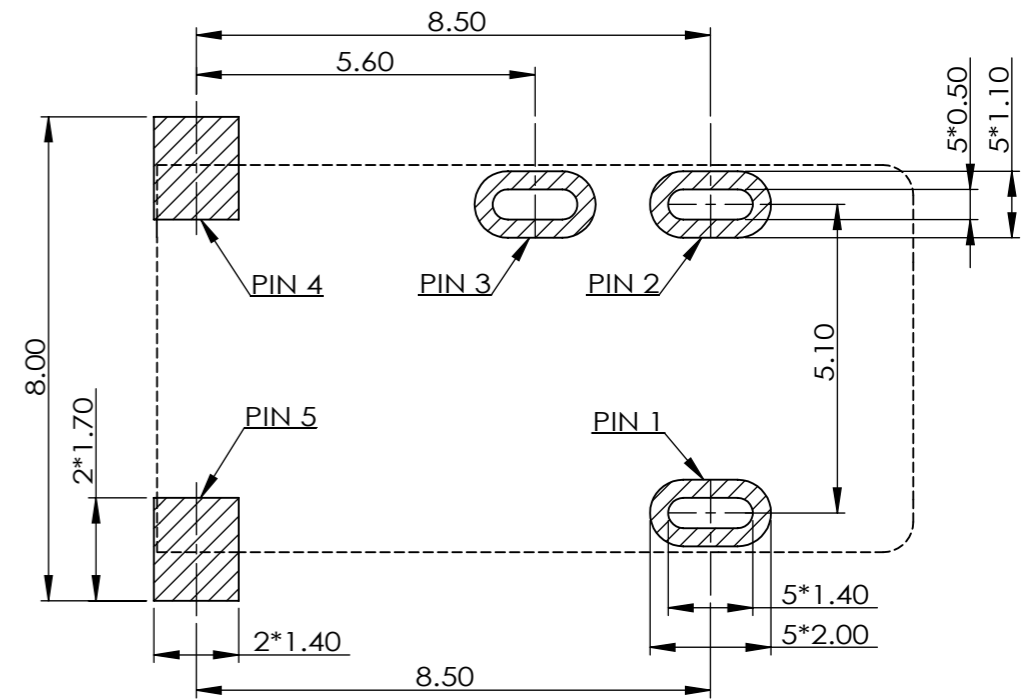
NO	DESCRIPTION
1	GND
2	MIC
3	RT
4	LET
5	DETECT



MYLAR 5.70*3.20*0.06T



PLUG 插入示意图



P.C.B LAYOUT (TOLERANCE:±0.05)

NOTES:
 1.MATERIAL:
 BODY:PA 9T,BLACK,UL 94
 TERMINAL:COPPER ALLOY,T=0.20mm
 2.FINISH:
 TERMINA:50u" MIN Ni UNDER PLATING OVER ALL
 1U"MIN AU PLATING ON CONTACT AND SOLDER AREA
 3.ALL DIMENSIONS MARKED ▼ MUST BE CONTROLLED BY QC
 4.ALL DIMENSIONS MARKER (XX) MUST BE MEASURE BY FAI.



REV.	ECN NO.	DESCRIPTION	DATE	UNITS: mm	GENERAL TOLERANCE	DRAW:	PART NO:
C	E1910641A	修改电镀规格	10/31/2019	DATE: 02/18/2017	X. ±0.20 .X ±0.15 .XX ±0.10 .XXX ±0.05	X.° ±2.00 .X° ±1.00 .XX° ±0.50	PH20-0A38F3MC
B	E1805174A	4, 5号端子降 弹高, 减小插拔力	05/18/2018	SCALE: 8 / 1		CHECKED: APPROVE:	NAME: φ3.5MM PHONE JACK CONN. 板上前插后贴型, H=3.80mm
A		NEW	02/18/2017	SHEET: 1 / 1	TITLE:		DRAWING NO:
REV.	ECN NO.	DESCRIPTION	DATE	REV. A	FINISH: SEE NOTE		



昆山捷皇电子精密科技有限公司
 HONGRIDA ELECTRONIC TECHNOLOGY CO.,LTD.