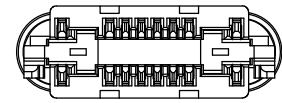
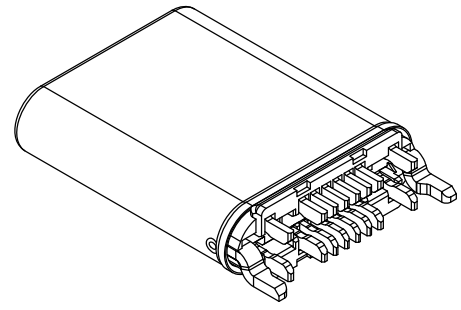


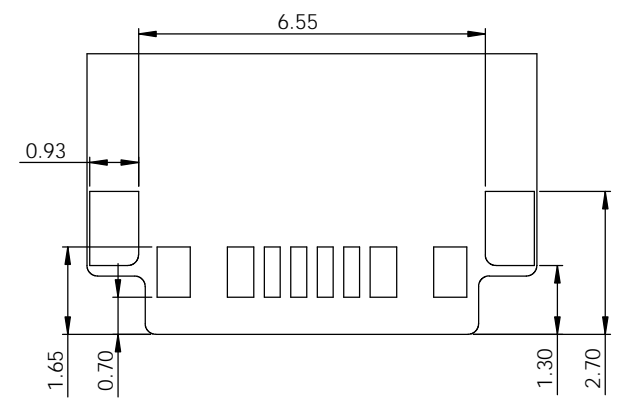
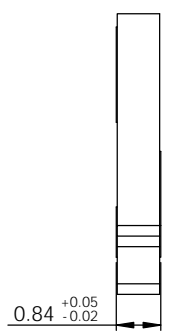
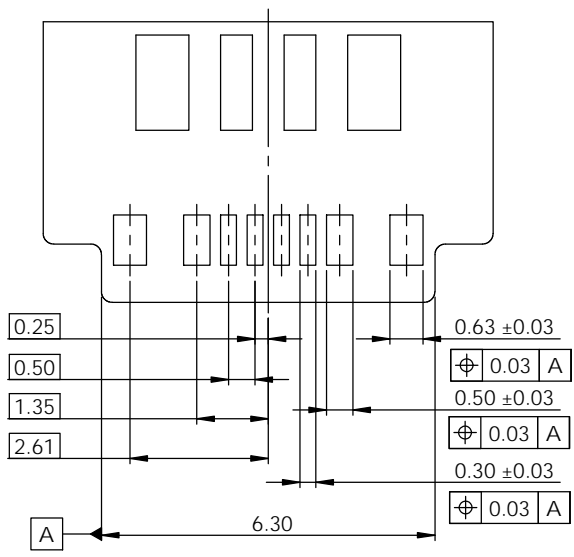
PIN ASSIGNMENT											
A12	A11	A10	A9	A8	A7	A6	A5	A4	A3	A2	A1
GND	/	/	VBUS	/	D-	D+	CC	VBUS	/	/	GND
GND	/	/	VBUS	VCONN	/	/	/	VBUS	/	/	GND
B1	B2	B3	B4	B5	B6	B7	B8	B9	B10	B11	B12



ITEM	NAME	MATERIAC/FINISH	Q'TY
5	GND	SUS301-H/Ni 50u" Min.	1
4	SHELL	SUS316L/Ni 50u" Min.	1
3	GND MOLDING	LCP MG350 UL94V-0 BLACK	1
2	HOUSING	PLASTIC UL94V-0	1
1	CONTACT	C7025-TM03 CONTACT AREA: Au 30u" Min. SOLDER AREA: Sn 100-200u" UNDERPLATED Ni 50u" Min.	8

REV.	ECN NO.	DESCRIPTION	DATE	UNITS: mm	GENERAL TOLERANCE	DRAW:	PART NO:
A5	E200930001	胶芯尾部固定PCB尺寸变更	09/30/2020	mm	X. ±0.20	X. ±2.00"	UC33-XX101XR0
A4	E200603002	胶芯尾部减胶, 增强UV胶固板强度	06/06/2020	DATE: 11/27/2018"	.X ±0.15	.X ±1.00"	TITLE: TYPE C PLUG CUSTOMER DRAWING
A3	---	增加白色和黄色胶芯规格, 更新编码原则	06/06/2019	SCALE: 5 / 1	.XX ±0.10	.XX ±0.50"	DRAWING NO: C-UC33-00-00
A2	E19031601A	更新Date Code编码原则及新增红色规格	03/16/2019	SHEET: 1 / 2	.XXX ±0.05	APPROVE:	
				REV. A5	MATERIAL:		
					FINISH: SEE NOTE		


昆山捷皇电子精密科技有限公司
 HONGRIDA ELECTRONIC TECHNOLOGY CO., LTD.



2.0. D/C ANNOTATION:
 X X XX X X X
 PLATED LINE H=华婷
 LINE 1=1# LINE
 CLASS D=DAY N=NIGHT
 DATE 11=1/1
 YEAR 9=2019
 COMPANY J=HRD

- NOTES:
 1.0. ELECTRICAL CHARACTERISTICS
 1.1. LOW LEVEL CONTACT RESISTANCE:
 40m ohm MAX FOR ALL CONTACT.
 50m ohm MAX. AFTER ENVIRINMENT TEST
 1.2. DIELECTIC WITHSTANDING VOLTAGE:
 100VAC FOR ONE MINUTE SEA LEVEL.
 1.3. INSULATION RESISTANCE:100 Mou MINIMUM.
 1.4. CURRENT RATING:
 VBUS AND GND CONTACTS RATED AT 1.25A EA.
 PARALLELED FOR A TOTAL OF 5A.
 1.5. INSERTION FORCE: 20N MAXIMUM.
 1.6. EXTRACTION FORCE: AFTER DURABILITY
 1~1000 CYCLES 8N MINIMUM. 20N MANIMUM.
 1001~10000 CYCLES 6N MINIMUM. 20N MANIMUM.
 1.7. DURABILITY: 10000 CYCLES.
 1.8. OPERATING TEMPERATURE: -55°C TO +85°C
 1.9. THIS PLUG IS DESIGNED TO COMPLY
 WITH USB TYPE C SPECIFICATION

Date Code 编码月份日期机台号对照码			
月份/日期/ 机台号	镭雕码	月份/日期/ 机台号	镭雕码
1	1	17	H
2	2	18	J
3	3	19	K
4	4	20	L
5	5	21	M
6	6	22	N
7	7	23	P
8	8	24	Q
9	9	25	R
10	A	26	S
11	B	27	T
12	C	28	U
13	D	29	V
14	E	30	W
15	F	31	X
16	G	* 字母 I 和 0 不用	

CONNECTOR NUMBER CODE

UC33- X X 101 X R 0

 1 2 3 4 5

1.PRODUCT DESCRIPTION:
 UC33:USB 2.0 TYPE C PLUG DRAWN SHELL TYPE

2.SHELL OF PLATING
 0:BRIGHT Ni

3.COLOUR OF HOUSING
 G:GREEN
 R: RED
 W:WHITE
 Y: YELLOW
 H: GRAY
 B: BLACK

4.PRODUCT LENGTH
 101: 10.10mm

5.CONTACT PLATING
 3: Au 30u" ON CONTACT AREA

A5	E200930001	胶芯尾部固定PCB尺寸变更	09/30/2020	UNITS: mm	GENERAL TOLERANCE		DRAW:	PART NO: UC33-XX101XR0
A4	E200603002	胶芯尾部减胶, 增强UV胶固板强度	06/06/2020	DATE: 11/27/2018	X. ±0.20	X." ±2.00"	CHECKED:	TITLE: TYPE C PLUG CUSTOMER DRAWING
A3	---	增加白色和黄色胶芯规格, 更新编码原则	06/06/2019	SCALE: 5 / 1	.X ±0.15	.X" ±1.00"	APPROVE:	DRAWING NO: C-UC33-00-00
A2	E19031601A	更新Date Code编码原则 及新增红色规格	03/16/2019	SHEET: 2 / 2	.XX ±0.10	.XX" ±0.50"	MATERIAL:	
REV.	ECN NO.	DESCRIPTION	DATE	REV. A5	FINISH: SEE NOTE			

昆山捷皇电子精密科技有限公司
 HONGRIDA ELECTRONIC TECHNOLOGY CO., LTD.