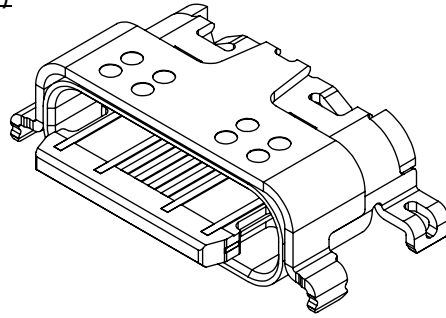
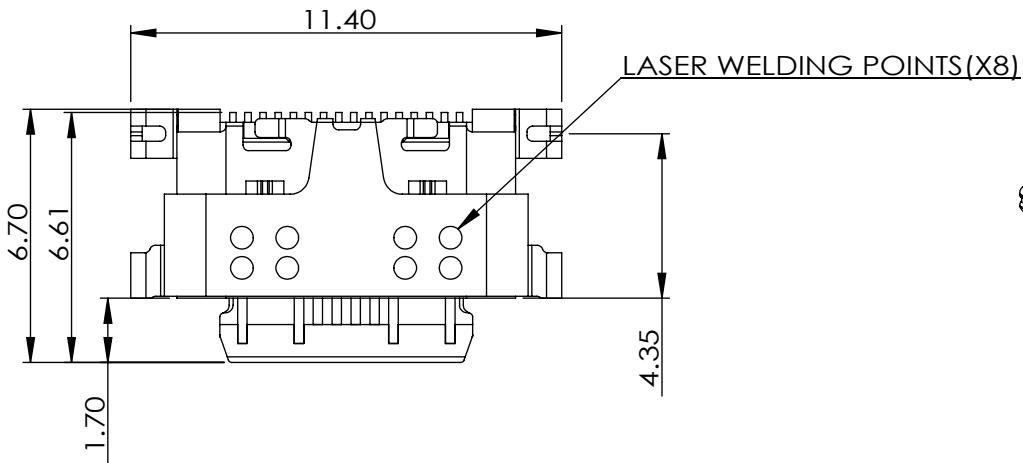


1 2 3 4 5 6 7 8

A



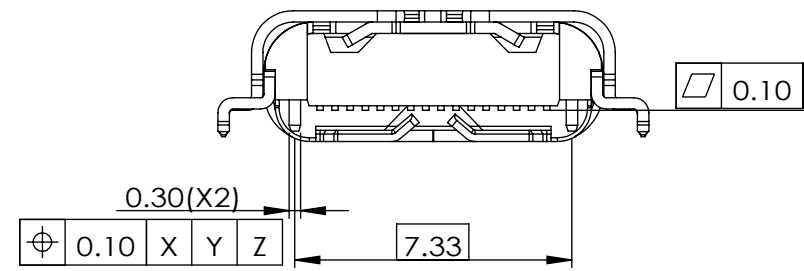
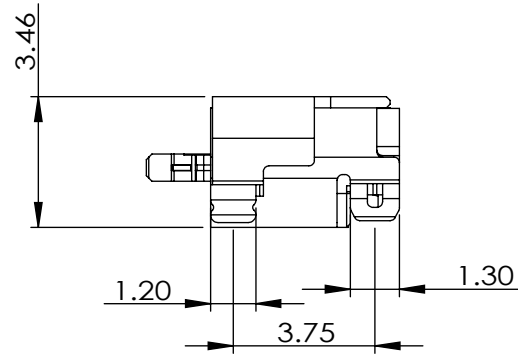
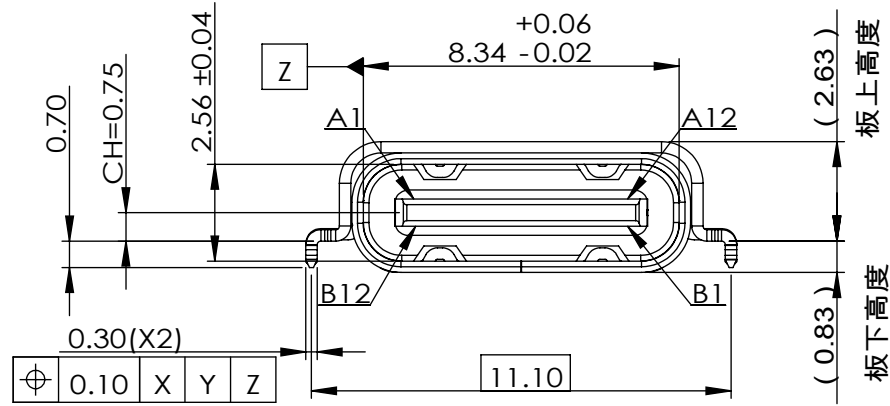
PIN ASSINGMENT							
A1	A4	A5	A6	A7	A8	A9	A12
GND	VBUS	CC1	Dp1	Dn1	SBU1	VBUS	GND
GND	VBUS	SBU2	Dn2	Dp2	CC2	VBUS	DND
B12	B9	B8	B7	B6	B5	B4	B1

B

A

B

C

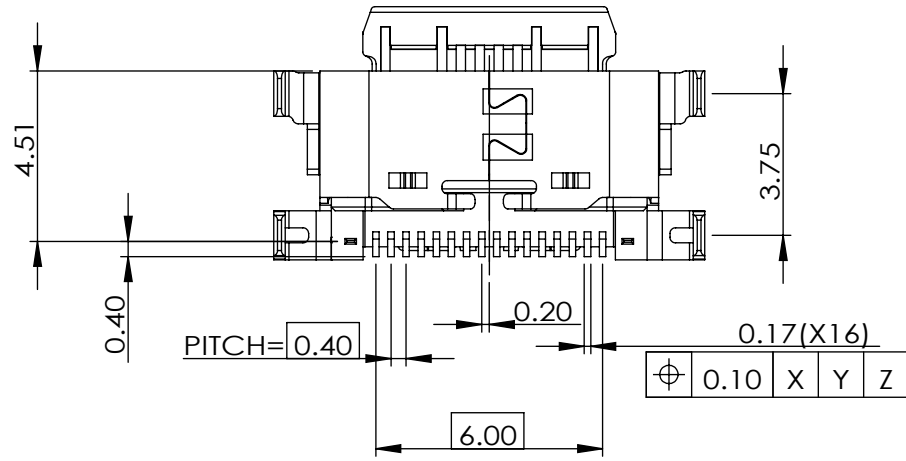


C

D

D

E



5	SHELL	1	UC16-SN000R00	STAINLESS STEEL/Ni PLATED
4	MOLDING	3	UC16-MB000R03	THERMOPLASTIC UL94V-0
3	GND	1	UC16-GX000R00	STAINLESS STEEL
2	DOWN CONTACT	8	UC16-TX000P00	COPPER/Au PLATED
1	UP CONTACT	8	UC16-TX000R00	COPPER/Au PLATED
ITEM	NAME	Q'TY	PART	MATERIAC/FINISH

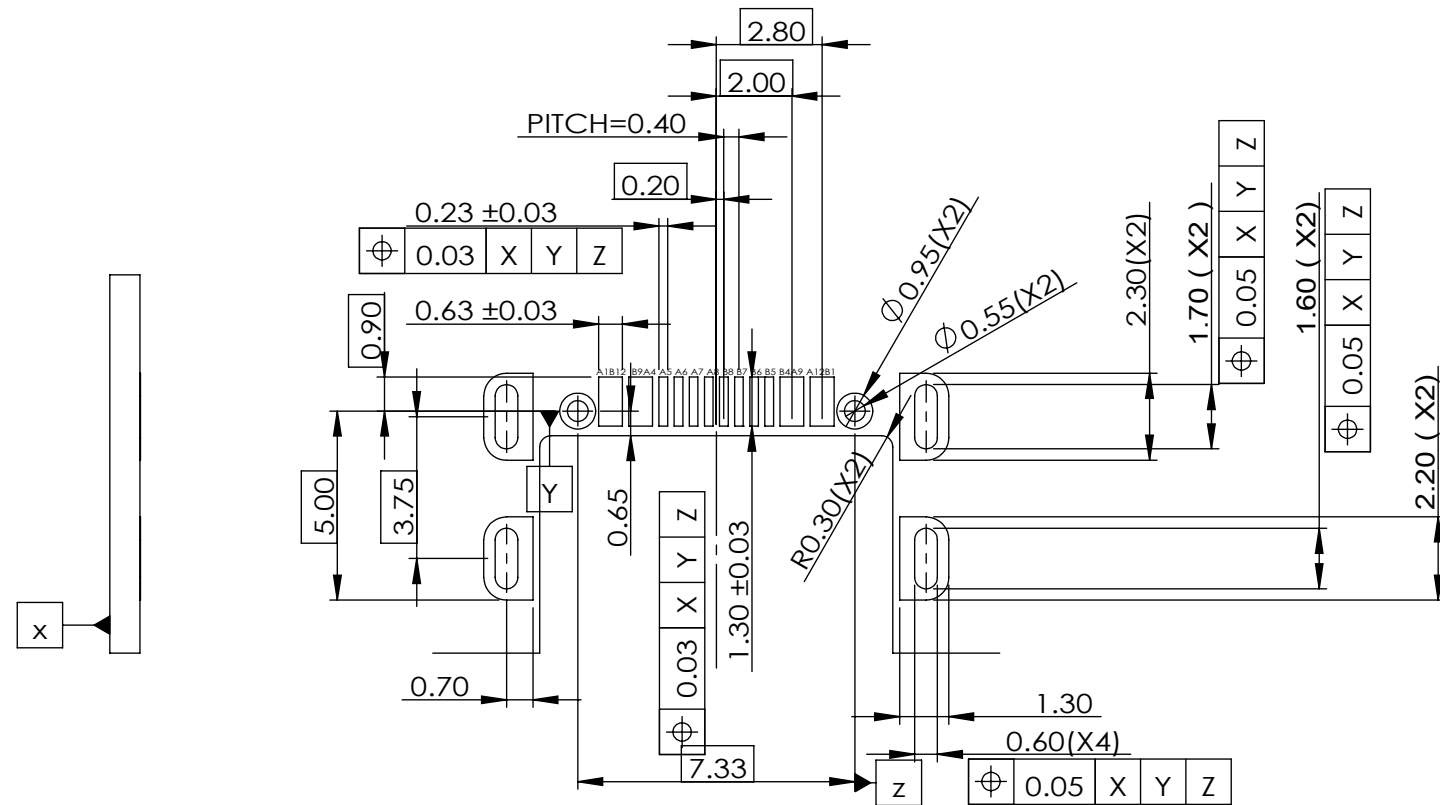
E

F

F

				UNITS: mm	GENERAL TOLERANCE		DRAW: ZSH	PART NO: UC16-0X075XR0
				DATE: 08/01/2018	X. ±0.20	X° ±2.00°	CHECKED:	NAME: UC16 REC CH=0.75 16pin MID MOUNT TYPE
				SCALE: 5/1	.X ±0.15	.X° ±1.00°	APPROVE: Jed.Guo	DRAWING NO: C-UC16-00-00
				SHEET: 1/2	.XX ±0.10	.XX° ±0.50°		
A		NEW	08/01/2018	REV. A	.XXX ±0.05	TITLE: UC16 COMPOSITION DRAWING	鸿日达科技股份有限公司 HONGRIDA ELECTRONIC TECHNOLOGY CO.,LTD.	
REV.	ECN NO.	DESCRIPTION	DATE	REV.	FINISH: SEE NOTE			

1 2 3 4 5 6 7 8



RECOMENDED PCB LAYOUT(TOP VIEW)
(TOLARANCE:±0.05)

CONNECTOR NUMBER CODE

UC16- 0 B 075 X R 0
 ---- - - - - -
 1 2 3 4 5

1:PRODUCT DESCRIPTION:
 UC16:USB 2.0 16 PIN TYPE C REC MIDDLE MOUNT TYPE

2:PRODUCT TYPE
 0:SMT TYPE


3:COLOUR OF HOUSING
 B:BLACK
 W:WHITE

4:PRODUCT LENGTH
 0.75:CH=0.75

5:CONTACT PLATING
 F : GOLD FLASH ON CONTACT AREA
 1 : Au 5u" ON CONTACT AREA
 2 : Au 15u" ON CONTACT AREA
 3 : Au 30u" ON CONTACT AREA

NOTES:

- 1.0. ELECTRICAL CHARACTERISTICS
- 1.1. LOW LEVEL CONTACT RESISTANCE:
 40m ohm MAX FOR ALL CONTACT .
 50m ohm MAX. AFTER ENVIRINMENT TEST
- 1.2. DIELECTIC WITHSTANDING VOLTAGE:
 100 VAC FOR ONE MINUTE SEA LEVEL.
- 1.3.INSULATION RESISTANCE:100 MoΩ MINIMUM.
- 1.4. CURRENT RATING:
 VBUS AND GND CONTACTS RATED AT 1.25A EA.
 PARALLELED FOR A TOTAL OF 5A.
- 1.5. INSERTION FORCE: 20N MAXIMUM.
- 1.6. EXTRACTION FORCE: AFTER DURABILITY
 1~1000 CYCLES 8N MINIMUM. 20N MAXIMUM.
 1001~10000CYCLES 6N MINIMUM. 20N MAXIMUM.
- 1.7. DURABILITY: 10,000 CYCLES.
- 1.8. OPERATING TEMPERATURE: -55 °C TO +85 °C
- 1.9. KIT DOES NOT INCLUDE RECOMMENDED
 OVERMOLD OR PCB
- 2.0. THIS PLUG IS DESIGNED TO COMPLY
 WITH USB TYPE C SPECIFICATION

				UNITS: mm	GENERAL TOLERANCE		DRAW: ZSH	PART NO: UC16-0X075XR0
				DATE: 08/01/2018	X. ±0.20 .X ±0.15	X° ±2.00° .X° ±1.00°	CHECKED:	NAME: UC16 REC CH=0.75 16pin MID MOUNT TYPE
				SCALE: 5/1	.XX ±0.10 .XXX ±0.05	.XX° ±0.50°	APPROVE: Jed.Guo	DRAWING NO: C-UC16-00-00
A	_____	NEW	08/01/2018	SHEET: 2/2	TITLE: UC16 COMPOSTION DRAWING		 鸿日达科技股份有限公司 HONGRIDA ELECTRONIC TECHNOLOGY CO.,LTD.	
REV.	ECN NO.	DESCRIPTION	DATE	REV. A	FINISH: SEE NOTE	