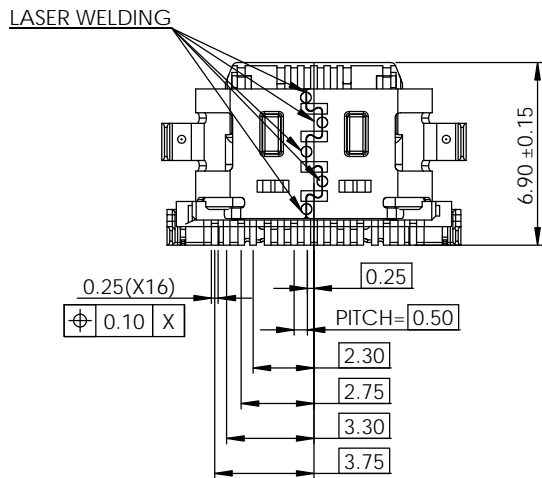
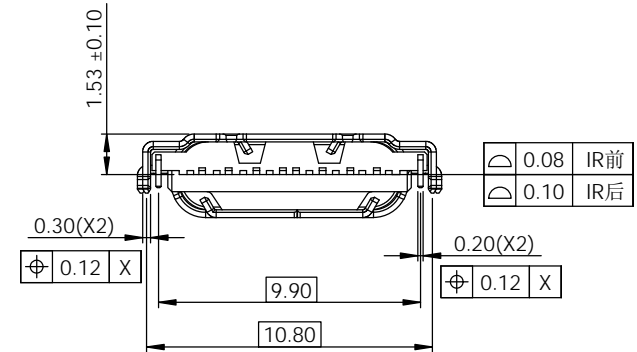
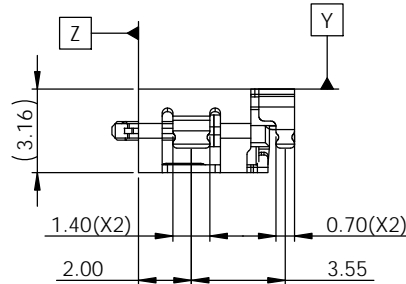
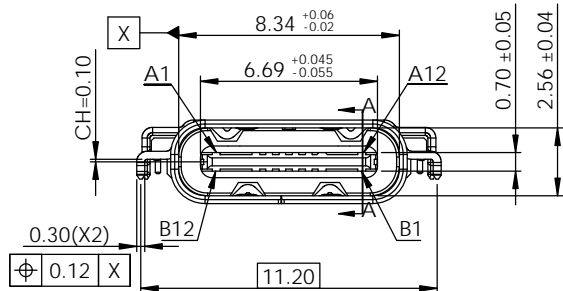


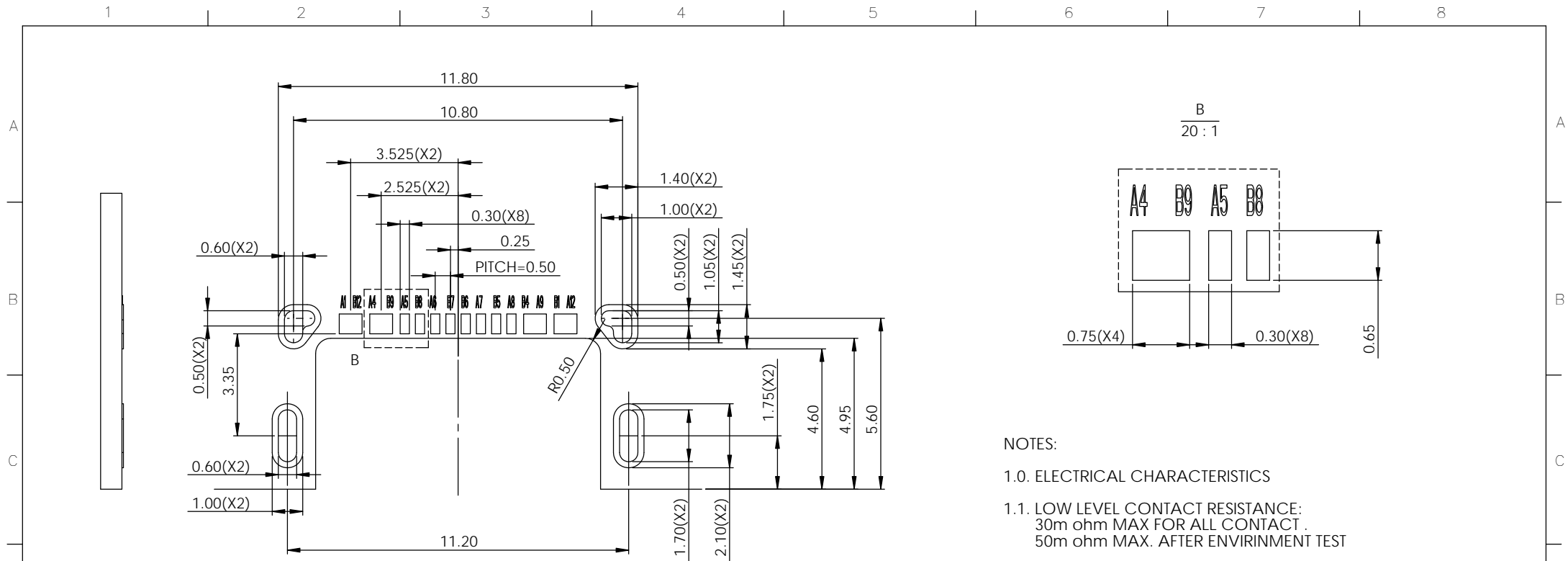
PIN ASSIGNMENT											
A1	A2	A3	A4	A5	A6	A7	A8	A9	A10	A11	A12
GND	SSIXp1	SSIXn1	VBUS	CC1	Dp1	Dn1	SBU1	VBUS	SSRXn2	SSRXp2	GND
GND	SSRXp1	SSRXn1	VBUS	SBU2	Dn2	Dp2	CC2	VBUS	SSRXn2	SSIXp2	GND
B12	B11	B10	B9	B8	B7	B6	B5	B4	B3	B2	B1



ITEM	NAME	Q'TY	MATERIAC/FINISH
6	SHELL	1	STAINLESS STEEL/Ni PLATED
5	MOLIDING2	1	THERMOPLASTIC UL94V-0
4	MOLIDING1	1	THERMOPLASTIC UL94V-0
3	GND	1	STAINLESS STEEL
2	DOWN CONTACT	8	COPPER/Au PLATED
1	UP CONTACT	8	COPPER/Au PLATED

REV.	ECN NO.	DESCRIPTION	DATE	UNITS: mm	GENERAL TOLERANCE	DRAW: Martin	PART NO: UC68-0X005XR0
A		NEW	2020/12/17	DATE: 2020/12/17	X. $\pm$ 0.20 .X $\pm$ 0.15 .XX $\pm$ 0.10 .XXX $\pm$ 0.05	CHECKED: APPROVE:	NAME: TYPE C REC 16PIN CH=0.05 MID MOUNT TYPE DRAWING NO: C-UC68-00-00
				SCALE: 5 / 1	X. $\pm$ 2.00 .X $\pm$ 1.00 .XX $\pm$ 0.50		
				SHEET: 1 / 2	TITLE: UC68 CUSTOMER DRAWING		
				REV. A	FINISH: SEE NOTE		

 鸿日达科技股份有限公司  
HONGRIDA ELECTRONIC TECHNOLOGY CO., LTD.



RECOMMENDED PCB LAYOUT  
 PCB THICKNESS IS 0.8mm  
 DEFAULT TOLERANCE +/-0.05

CONNECTOR NUMBER CODE

UC68- 0 X 005 X R 0  
 1 2 3 4 5

1:PRODUCT DESCRIPTION:  
 UC68:USB 2.0 TYPE C REC MIDDLE MOUNT TYPE

2:PRODUCT TYPE  
 0:SMT TYPE

3:COLOUR OF HOUSING  
 B:BLACK  
 W:WHITE

4:CENTER HIGH  
 005:CH=-0.05mm

5:CONTACT PLATING  
 F: GOLD FLASH ON CONTACT AREA  
 1: Au 5u" ON CONTACT AREA  
 2: Au 15u" ON CONTACT AREA  
 3: Au 30u" ON CONTACT AREA

NOTES:

- 1.0. ELECTRICAL CHARACTERISTICS
- 1.1. LOW LEVEL CONTACT RESISTANCE:  
 30m ohm MAX FOR ALL CONTACT .  
 50m ohm MAX. AFTER ENVIRINMENT TEST
- 1.2. DIELECTRIC WITHSTANDING VOLTAGE  
 100 VAC FOR 1 MINUTE SEA LEVEL
- 1.3. INSULATION RESISTANCE  
 100meg ohm MIN
- 1.4.CURRENT RATING  
 VBUS AND GND CONTACTS RATED AT 1.25A EA.  
 PARALLELED FOR A TOTAL OF 5A
- 2.0. MECHANICAL CHARACTERISTICS:
- 2.1. INSERTION FORCE: 20N MAX
- 2.2. EXTRACTION FORCE 1-1000 CYCLES 8N MIN. 20 N MAX.  
 EXTRACTION FORCE 1001-10000 CYCLES 6N MIN. 20 N MAX.
- 2.3. DURABILITY : 10,000 CYCLES
- 3.0 .OPERATING TEMPERATURE: -55° TO +85°

				UNITS: mm	GENERAL TOLERANCE		DRAW: Martin	PART NO: UC68-0X005XR0
				DATE: 2020/12/17	X. ±0.20	X." ±2.00"	CHECKED:	NAME: TYPE C REC 16PIN CH=0.05 MID MOUNT TYPE
				SCALE: 8 / 1	.X ±0.15	.X" ±1.00"	APPROVE:	DRAWING NO: C-UC68-00-00
				SHEET: 2 / 2	.XX ±0.10	.XX" ±0.50"	TITLE: UC68 CUSTOMER DRAWING	
REV.	ECN NO.	DESCRIPTION	DATE	REV. A	FINISH: SEE NOTE	鸿日达科技股份有限公司 HONGRIDA ELECTRONIC TECHNOLOGY CO., LTD.		