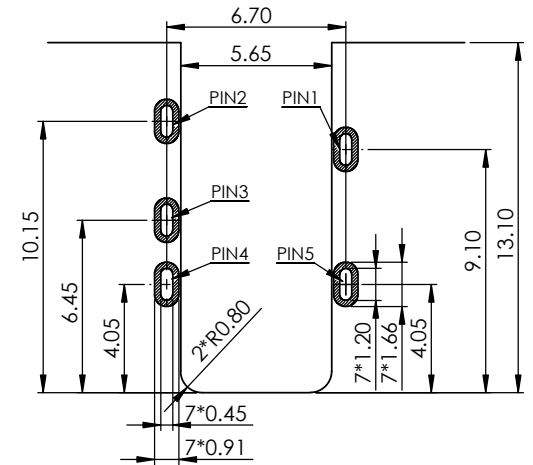
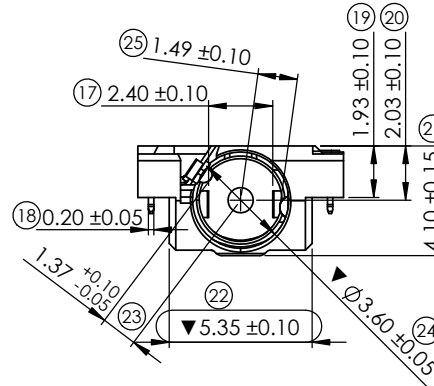
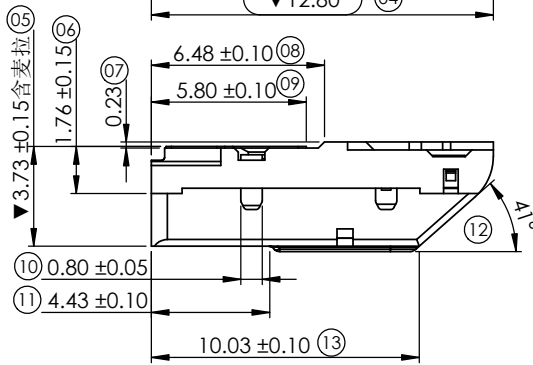


NO.	DESCRIPTION
1	GND / MIC+
2	MIC+ / GND
3	R AUDIO
4	L AUDIO / DETECT
5	DETECT / L AUDIO

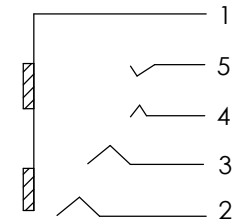
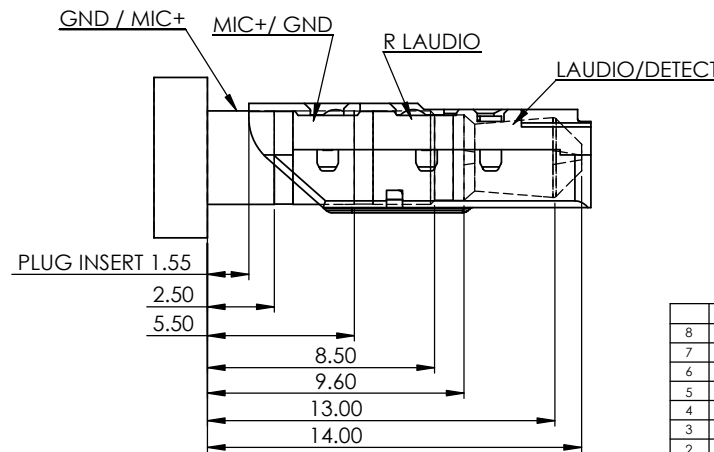
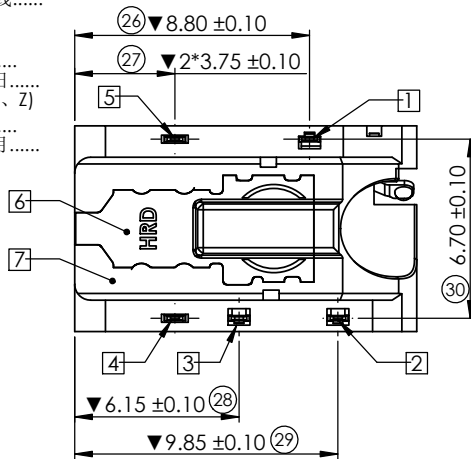


PCB LAYOUT(TOP VIEW)
SCALE 3: 1(TOLERANCE±0.05)



D/C PART NO. : H X X X X X
 H=HRD
 X=线别: A=A线、B=B线.....
 X=班别: 1=白班 2=夜班
 X=日: 1=1日, 2=2日.....
 X=A=10日, B=11日.....
 X=(WITH OUT I、O、Z)
 X=月: 1=1月, 2=2月.....
 X=A=10月, B=11月.....

电镀: A=Au 5U"
 B=Au 15U"
 年: 7=2017年
 8=2018年
 9=2019年



NOTES:
 1.MATERIAL:
 HOUSING:PA 9T,BLACK,UL 94 V-0
 CONTACT:SEE TABLE
 2.FINISH:
 15u" Min Au PLATING ON CONTACT AREA
 1u" Min Au PLATING ON SOLDER AREA
 50u" Ni UNDER PLATING OVER ALL
 3.ALL DIMENSIONS MARKED ▼ MUST BE CONTROLLED BY QC
 4.ALL DIMENSIONS MARKED (XX) MUST BE MEASURE BY FAI
 5.PRODUCT SPECIFICATIONS:
 5-1 WITHSTANDING VOLTAGE: 500V AC/MINUTE
 5-2 CONTACT RESISTANCE: 50 mΩ Max.
 5-3 INSULATION RESISTANCE: 1000 MΩ Min.
 5-4 BEFORE DURABILITY: MATING FORCE : 5-20 N.
 UNMATING FORCE: 5-20 N.
 5-5 AFTER DURABILITY:MATING FORCE : 4-20 N.
 UNMATING FORCE:4-20 N.
 5-6 OPERATION TEMPERATURE : -55° TO +85°
 5-7 DURABILITY : 5000 CYCLES

NO.	Parts Name	Q'	TY	Material	Finish	Remarks
8	MYLAR	1		CAPTON	black	T=0.06
7	HOUSING	1		PA9T G1350H	UL94 V0 Black	
6	CONTACT-6	1		SUS304-H	Ni+Au	T=0.15
5	CONTACT-5	1		SUS304-3/4H	Ni+Au	T=0.20
4	CONTACT-4	1		SUS304-3/4H	Ni+Au	T=0.20
3	CONTACT-3	1		C5210-H	Ni+Au	T=0.20
2	CONTACT-2	1		C5210-H	Ni+Au	T=0.20
1	CONTACT-1	1		C5210-H	Ni+Au	T=0.20

REV.	ECN NO.	DESCRIPTION	DATE	UNITS: mm	GENERAL TOLERANCE	DRAW:	PART NO:
B	E1904155A	图面更新	04/15/2019	DATE: 12/25/2018	X. ±0.20 .X ±0.15 .XX ±0.10 .XXX ±0.05	CHECKED:	PH92-1B22C41M
A		NEW	12/25/2018	SCALE: 5/1	X.' ±2.00' .X' ±1.00' .XX' ±0.50'	APPROVE:	TITLE: φ3.50MM PHONE JACK CONN.
				SHEET: 1/2	TITLE: CUSTOMER DRAWING		DRAWING NO: C-PH92-0009
				REV. A	FINISH: SEE NOTE		



昆山捷皇电子精密科技有限公司
 HONGRIDA ELECTRONIC TECHNOLOGY CO., LTD.