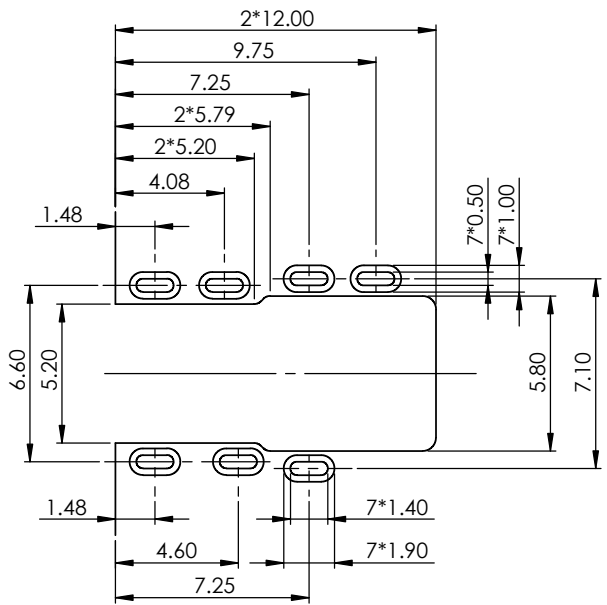
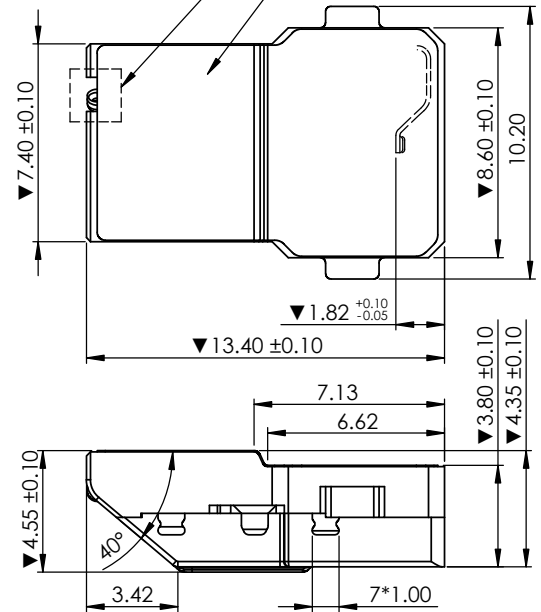
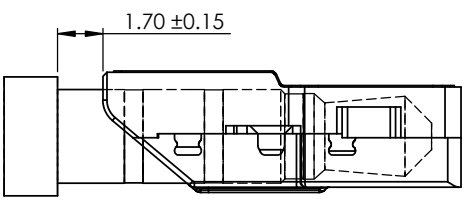
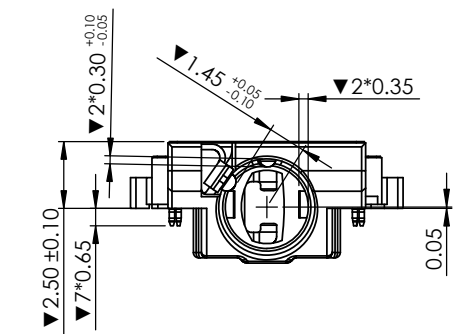


弹片头部凸出塑胶面0.10mm max
机壳处需做避位处理

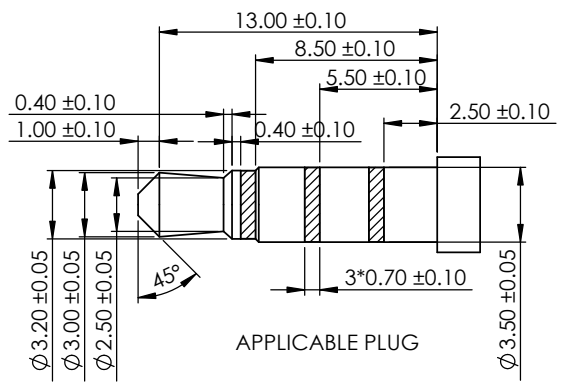
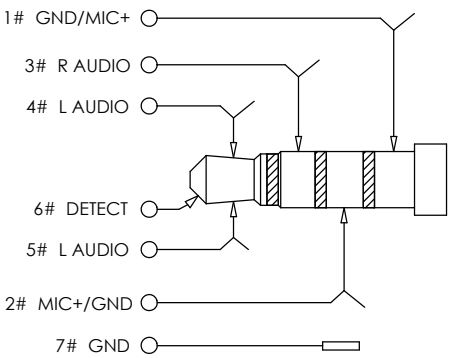
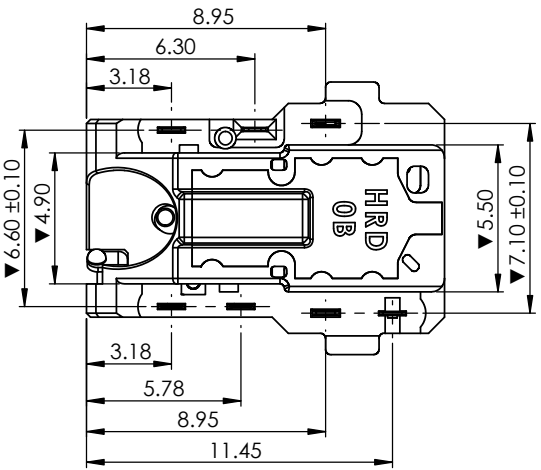
YELLOW MYLAR 需完全覆盖住端子表面
MYLAR四周允许凸出产品表面0.10mm max



P.C.B LAYOUT (TOLERANCE: ±0.05)



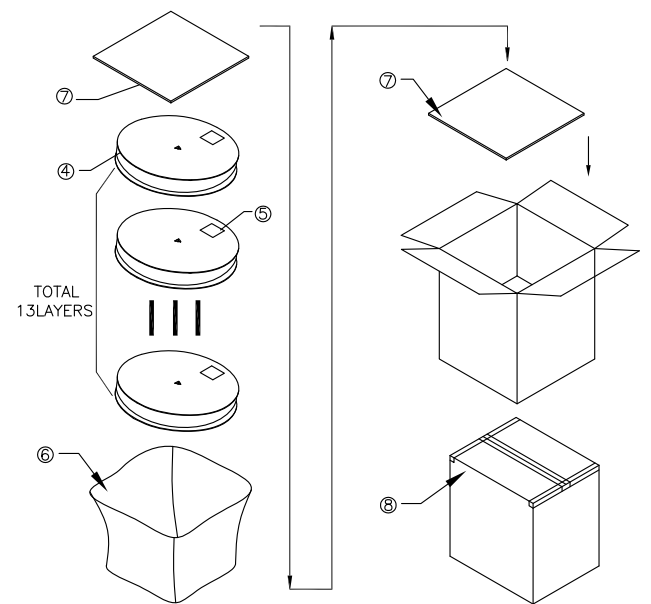
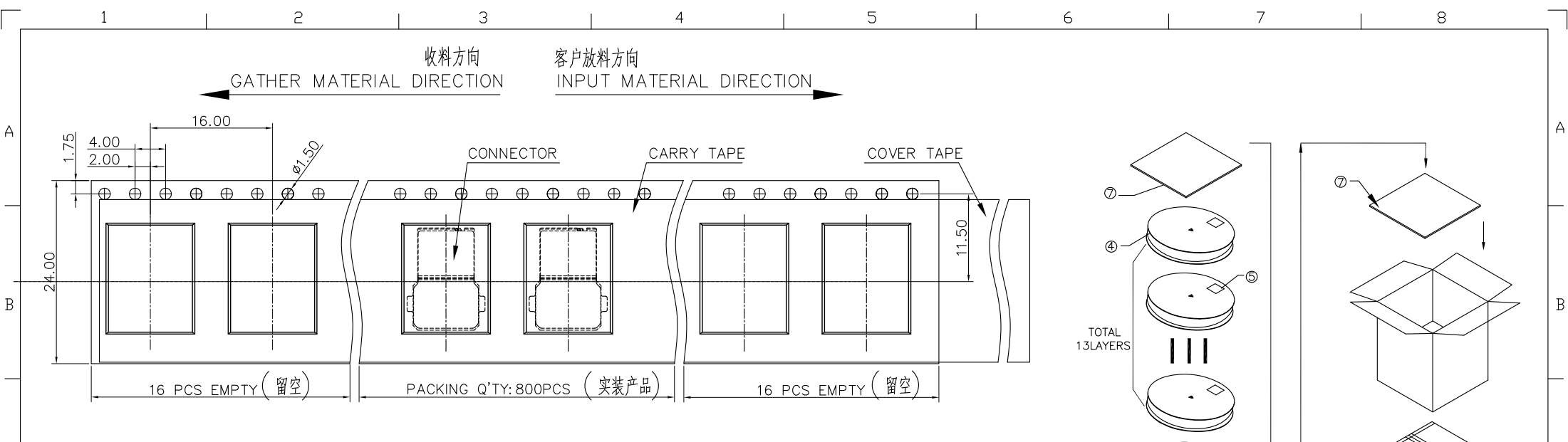
PLUG插入示意图



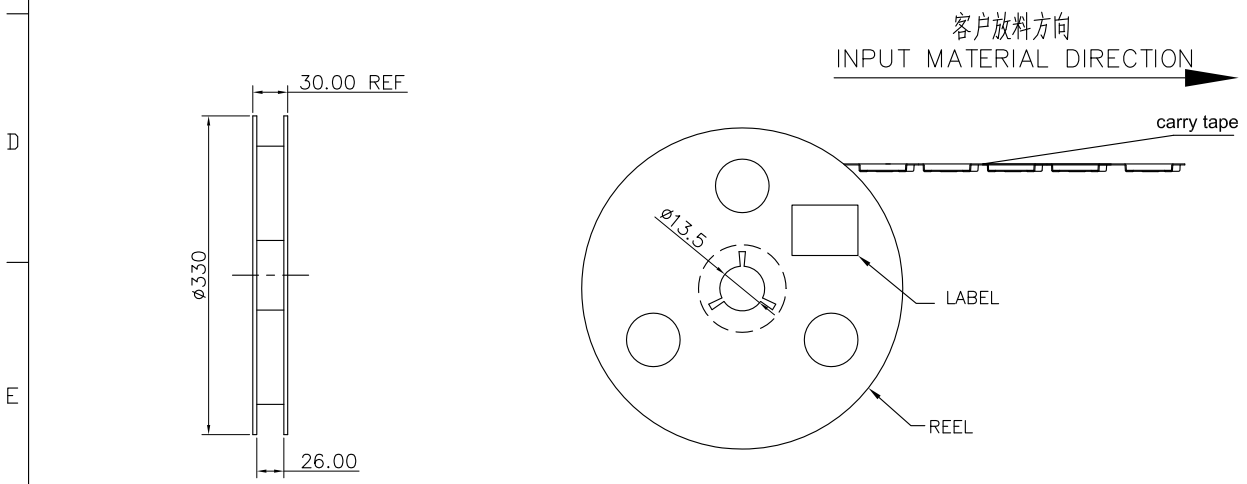
APPLICABLE PLUG

- NOTES:
- MATERIAL:
HOUSING: NYLON-9T, BLACK, UL 94 HB
TERMINAL: MIC/GND/R AUDIO: C5210 T=0.20mm
L AUDIO: SUS304 T=0.20mm,
DETECT: C5210 T=0.15mm
PEG: SUS304 T=0.15mm
 - FINISH:
TERMINA: 50u" MIN Ni PLATED OVER ALL.
3u" MIN AU PLATED ON CONTACT AREA
1u" MIN AU PLATED ON SOLDER AREA
 - ALL DIMENSIONS MARKED ▼ MUST BE CONTROLLED EVERYDAY BY QC.
 - ALL DIMENSIONS MARKED (X) MUST BE MEASURE BY FAI
 - PRODUCT SPECIFICATIONS:
5-1 WITHSTANDING: 500V AC/MINUTE
5-2 CONTACT RESISTANCE: 100 MILLIOHM (initial) Max.
5-3 MATING AND UNMATING FORCE: 0.5-2.0 Kgf Max. (BTFORE DURABILITY)
5-4 MATING AND UNMATING FORCE: 0.3-2.0 Kgf Max. (AFTER DURABILITY)
5-5 OPERATION TEMPERATURE: -25° TO +85°
5-6 STORAGE TEMPERATURE: -25° TO +85°
5-7 DURABILITY: 5000 CYCLES

				UNITS: mm	GENERAL TOLERANCE		DRAW:	PART NO:
				DATE: 01/12/2018	X. ±0.20	X." ±2.00'	CHECKED:	PH111-0B25F43M
				SCALE: 5/1	.X ±0.15	.X" ±1.00'	APPROVE:	TITLE: φ3.50MM PHONE JACK CONN.
				SHEET: 1/1	.XX ±0.10	.XX" ±0.50'		DRAWING NO:
				REV. A	.XXX ±0.05			
		NEW	01/12/2018	MATERIAL:				昆山捷皇电子精密科技有限公司 HONGRIDA ELECTRONIC TECHNOLOGY CO., LTD.
REV.	ECN NO.	DESCRIPTION	DATE	FINISH: SEE NOTE				



PH111-0B25F43M 包装示意图



BOM:

NO.	NAME	P/N	SPEC.	Q'TY
①	PHONE JACK	PH111-0B25F43M	DIP	10400PCS
②	CARRY TAPE	R24-PH111430	PS,W=24.0,P=16.0	173.056m
③	COVER TAPE	C24-01000000	PE,W=21.3,T=0.05	173.056m
④	REEL	P24-01100000	$\phi 330$,H=24.0	13PCS
⑤	纸箱	W01-01353539	350*350*390	1PCS

NO.	DESCRIPTION	MAT,L	COLOR	REMARK
3				
2				
1	R24-PH111430	PET	WHITE	

REV.	ECN NO.	DESCRIPTION	DATE	UNITS: mm	GENERAL TOLERANCE	DRAW:	PART NO:
A		NEW	01/12'2018	DATE: 01/12'2018	X. ± 0.20 .X ± 0.15 .XX ± 0.10 .XXX ± 0.05	CHECKED:	P-PH111-0B25F43M
				SCALE: N/A	X.' $\pm 2.00'$.X' $\pm 1.00'$.XX' $\pm 0.50'$	APPROVE:	TITLE: $\phi 3.5$ MM PHONE JACK CONN.
				SHEET: 1/1	MATERIAL:		DRAWING NO:
				REV. A	FINISH:	昆山捷皇电子精密科技有限公司 HRD ELECTRONIC TECHNOLOGY CO.,LTD.	