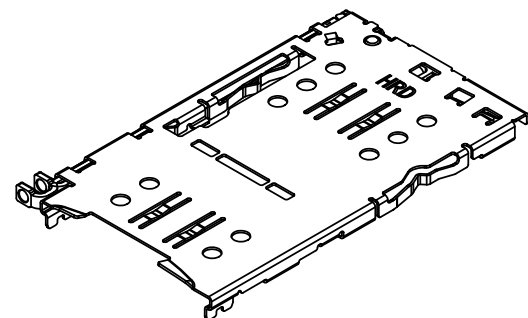


- NOTES:
- MATERIAL:
 BODY: HI-TEMP. PLASTIC, BLACK, UL 94V-0
 TERMINAL: COPPER ALLOY, T=0.12mm
 PUSHER: STAINLESS STEEL T=0.50mm
 EJECT LEVER: STAINLESS STEEL T=0.40mm
 SHELL: STAINLESS STEEL T=0.15mm
 - FINISH:
 TERMINA: 50u" Ni MIN UNDER PLATING OVER ALL
 GOLD FLASH 1~3u" ON CONTACT AREA
 SHELL / SWITCH: 30u" Ni MIN UNDER PLATING OVER ALL
 GOLD FLASH 1~3u" ON SOLDER TAIL AREA
 - CONTACT RESISTANCE 60 mΩ MAX
 INSULATION RESISTANCE 1000mΩ MIN
 HIGH VOLTAGE RESISTANCE 500V AC, 1 MINUTE
 OPERATING VOLTAGE 10V DC
 PEAK CURRENT 0.5A MAX
 OPERATING TEMPERATURE -20°C/+85°C
 STORAGE TEMPERATURE -20°C/+85°C
 - MECHANICAL LIFETIME MIN. 3000 MATING CYCLE
 - ALL DIMENSIONS MARKED ▼ MUST BE CONTROLLED BY QC
 - GP PASSED ACCORD WITH RoHS STANDARD
 - ALL DIMENSIONS MARKER (XX) MUST BE MEASURE BY FAI.



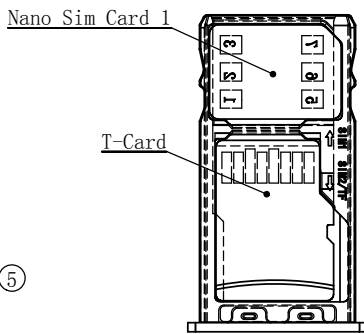
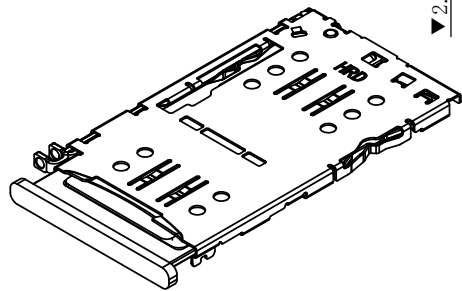
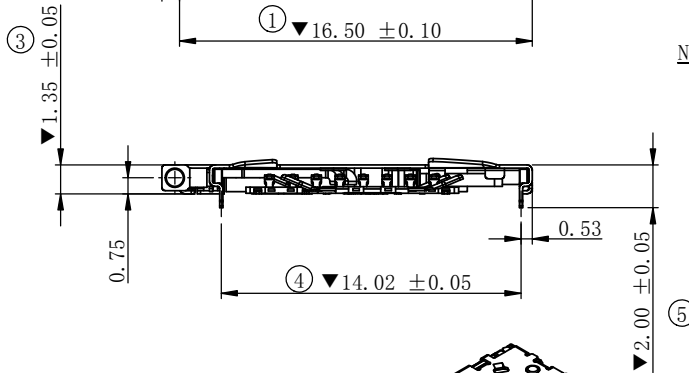
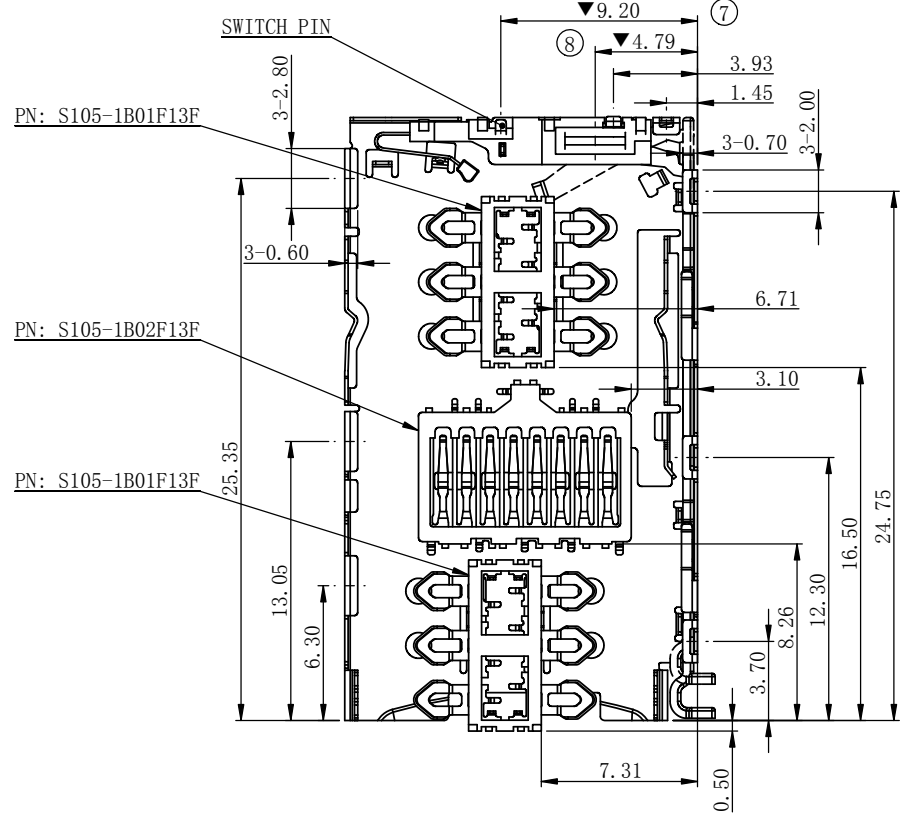
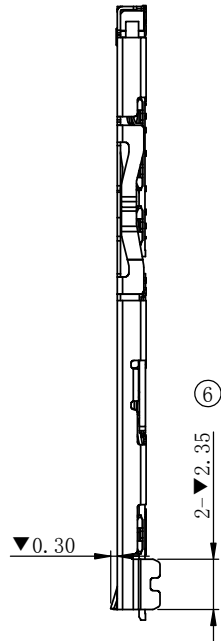
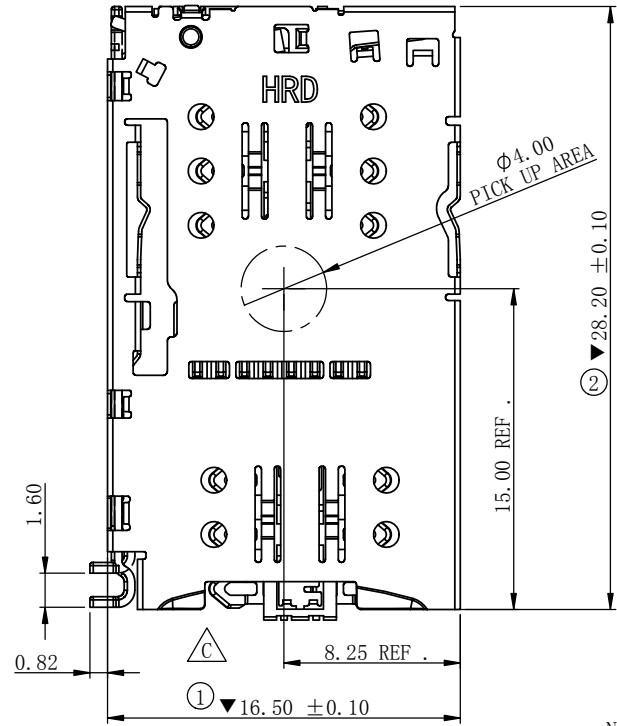
ASSEMBLY

				UNITS: mm	GENERAL TOLERANCE		DRAW:	PART NO:
C	E1512519A	铁壳增加翻边	12/30/2015	DATE: 10/30/2015	X. ±0.25	X.' ±5.00'	CHECKED:	S103-1B03F13F
B	E1511461A	取消锡脚	11/26/2015	SCALE: 4/1	X ±0.15	X' ±3.00'	APPROVE:	TITLE: SIM CARD 卡座 组合件 板上1.35H
A		NEW	10/30/2015	SHEET: 1/1	.XX ±0.10	.XX' ±1.00'		DRAWING NO:
REV.	ECN NO.	DESCRIPTION	DATE	REV. C	.XXX ±0.05	.XXX' ±0.50'		
					MATERIAL:		DRAWING NO:	
					FINISH: SEE NOTE		DRAWING NO:	

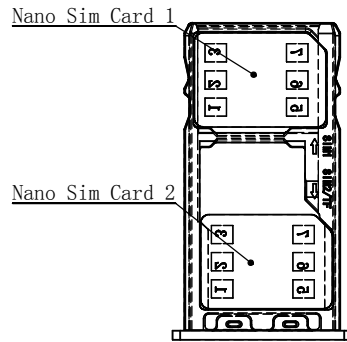
 昆山捷皇电子精密科技有限公司
HONGRIDA ELECTRONIC TECHNOLOGY CO., LTD.

A
B
C
D
E
F

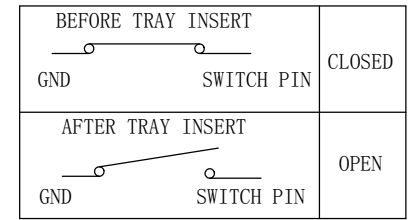
1 2 3 4 5 6 7 8




装卡方案一

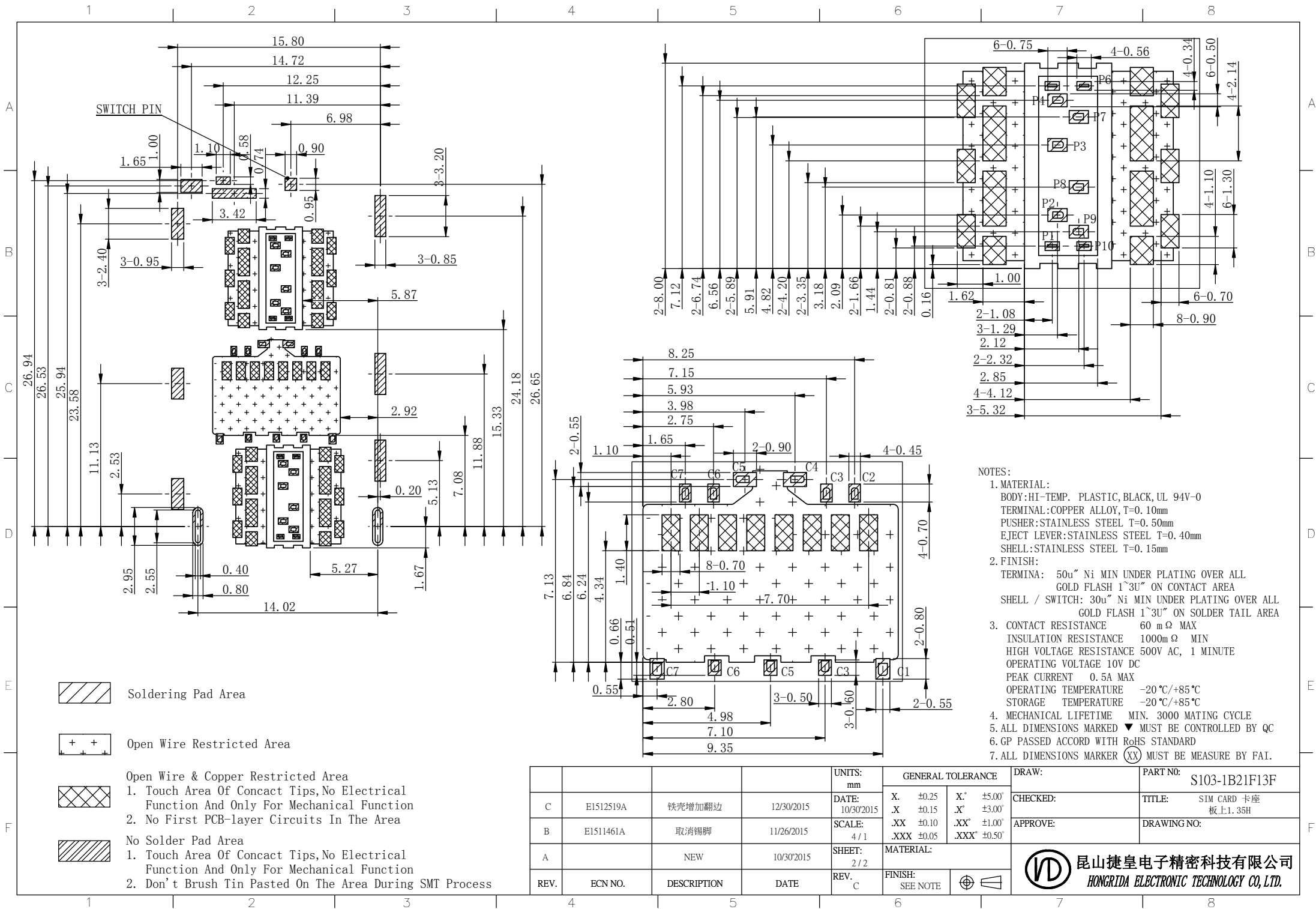


装卡方案二



UNITS: mm	GENERAL TOLERANCE		DRAW:	PART NO:
DATE: 10/30/2015	X. ±0.25	X.' ±5.00'	CHECKED:	S103-1B21F13F
SCALE: 4/1	X ±0.15	X' ±3.00'	APPROVE:	TITLE: SIM CARD 卡座 板上1.35H
SHEET: 1/2	.XX ±0.10	.XX' ±1.00'	DRAWING NO:	
REV. C	FINISH: SEE NOTE	⊕	 昆山捷皇电子精密科技有限公司 HONGRIDA ELECTRONIC TECHNOLOGY CO., LTD.	
REV.	ECN NO.	DESCRIPTION	DATE	

1 2 3 4 5 6 7 8



- NOTES:
- MATERIAL:
 - BODY: HI-TEMP. PLASTIC, BLACK, UL 94V-0
 - TERMINAL: COPPER ALLOY, T=0.10mm
 - PUSHER: STAINLESS STEEL T=0.50mm
 - EJECT LEVER: STAINLESS STEEL T=0.40mm
 - SHELL / SWITCH: STAINLESS STEEL T=0.15mm
 - FINISH:
 - TERMINA: 50u" Ni MIN UNDER PLATING OVER ALL GOLD FLASH 1~3u" ON CONTACT AREA
 - SHELL / SWITCH: 30u" Ni MIN UNDER PLATING OVER ALL GOLD FLASH 1~3u" ON SOLDER TAIL AREA
 - CONTACT RESISTANCE 60 mΩ MAX
 INSULATION RESISTANCE 1000mΩ MIN
 HIGH VOLTAGE RESISTANCE 500V AC, 1 MINUTE
 OPERATING VOLTAGE 10V DC
 PEAK CURRENT 0.5A MAX
 OPERATING TEMPERATURE -20 °C/+85 °C
 STORAGE TEMPERATURE -20 °C/+85 °C
 - MECHANICAL LIFETIME MIN. 3000 MATING CYCLE
 - ALL DIMENSIONS MARKED ▼ MUST BE CONTROLLED BY QC
 - GP PASSED ACCORD WITH RoHS STANDARD
 - ALL DIMENSIONS MARKER (XX) MUST BE MEASURE BY FAI.

- Soldering Pad Area
- Open Wire Restricted Area
- Open Wire & Copper Restricted Area
 - Touch Area Of Conctact Tips, No Electrical Function And Only For Mechanical Function
 - No First PCB-layer Circuits In The Area
- No Solder Pad Area
 - Touch Area Of Conctact Tips, No Electrical Function And Only For Mechanical Function
 - Don't Brush Tin Pasted On The Area During SMT Process

				UNITS: mm	GENERAL TOLERANCE		DRAW:	PART NO:
C	E1512519A	铁壳增加翻边	12/30/2015	DATE: 10/30/2015	X. ±0.25	X' ±0.50'	CHECKED:	S103-1B21F13F
B	E1511461A	取消锡脚	11/26/2015	SCALE: 4/1	X ±0.15	X' ±3.00'	APPROVE:	TITLE: SIM CARD 卡座 板上1.35H
A		NEW	10/30/2015	SHEET: 2/2	.XX ±0.10	.XX' ±1.00'		DRAWING NO:
REV.	ECN NO.	DESCRIPTION	DATE	REV. C	MATERIAL:	FINISH: SEE NOTE	昆山捷皇电子精密科技有限公司 HONGRIDA ELECTRONIC TECHNOLOGY CO., LTD.	