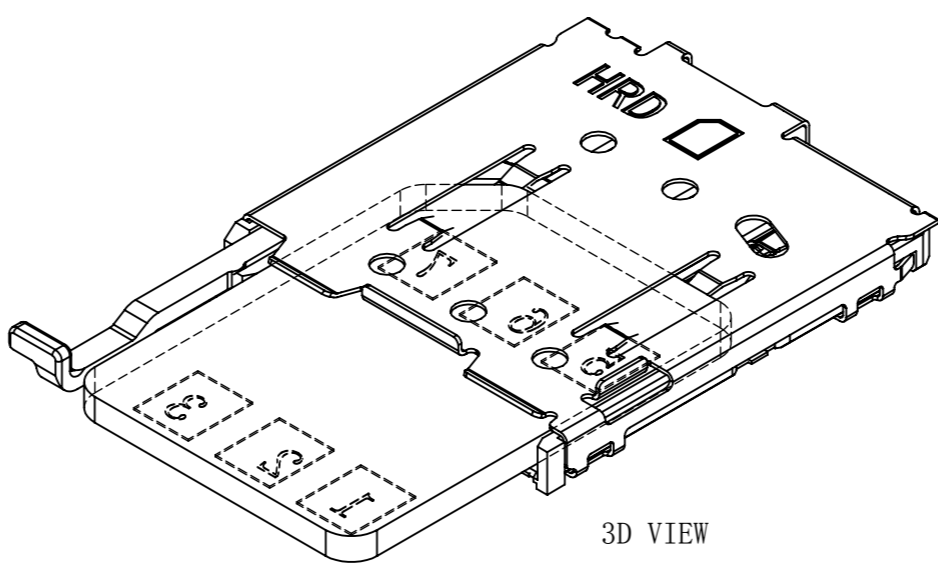
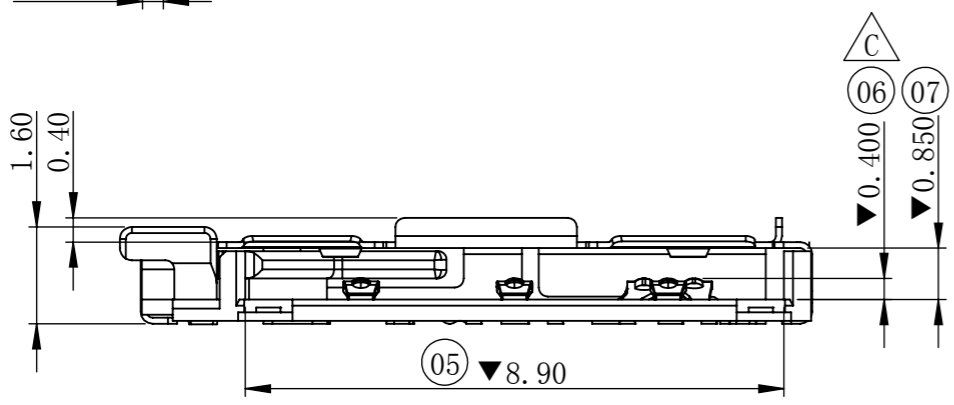


RECOMMENDED PCB LAYOUT  
 GENERAL TOLERANCE  $\pm 0.05$

- NOTES:
- MATERIAL:  
 HOUSING: LCP, BLACK, UL 94V-0  
 CONTACT: PHOSPHOR BRONZE, T=0.08MM  
 SHELL: STAINLESS STEEL T=0.10MM
  - FINISH:  
 CONTACT: 50u"min PLATING OVER ALL  
 GOLD FLASH ON THE CONTACT AREA AND SOLDER AREA  
 SHELL: SELECTIVE GOLD FLASH IN SOLDER TAIL AREA  
 50u"NI min. PLATING OVER ALL
  - GP PASSED ACCORD WITH HRD-RoHS-219 STANDARD.
  - ALL DIMENSIONS MARKED ▼ MUST BE CONTROLLED BY QC.
  - ALL DIMENSIONS MARKED (XX) MUST BE CONTROLLED BY QC.



PIIN/NO.	ASSIGNMENT
C1	Vcc
C2	RST
C3	CLK
S/W	SWITCH PIN
C5	GND
C6	Vpp
C7	I/O

				UNITS: mm	GENERAL TOLERANCE		DRAW:	PART NO: S171-0B07F13F
				DATE: 01/12/2017	X. $\pm 0.20$	X. $\pm 2.00^\circ$	CHECKED:	NAME: 1.35H NANO SIM CARD CONN.
B	E1806222A	更新图面弹高尺寸	06/23/2018	SCALE: 8/1	.X $\pm 0.15$	.X $\pm 1.00^\circ$	APPROVE:	DRAWING NO: C-S171-0000_B
A		NEW	01/12/2017	SHEET: 1/1	.XX $\pm 0.10$	.XX $\pm 0.50^\circ$	昆山捷皇电子精密科技有限公司 HONGRIDA ELECTRONIC TECHNOLOGY CO.,LTD.	
REV.	ECN NO.	DESCRIPTION	DATE	REV. A	.XXX $\pm 0.05$	.XXX $\pm 0.10^\circ$		