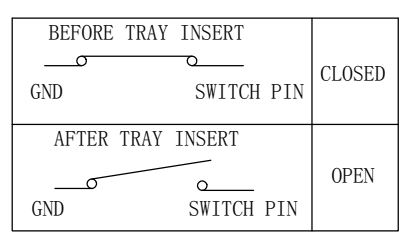
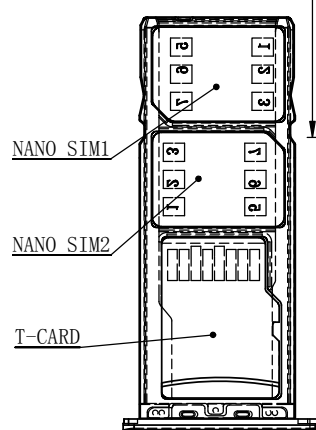
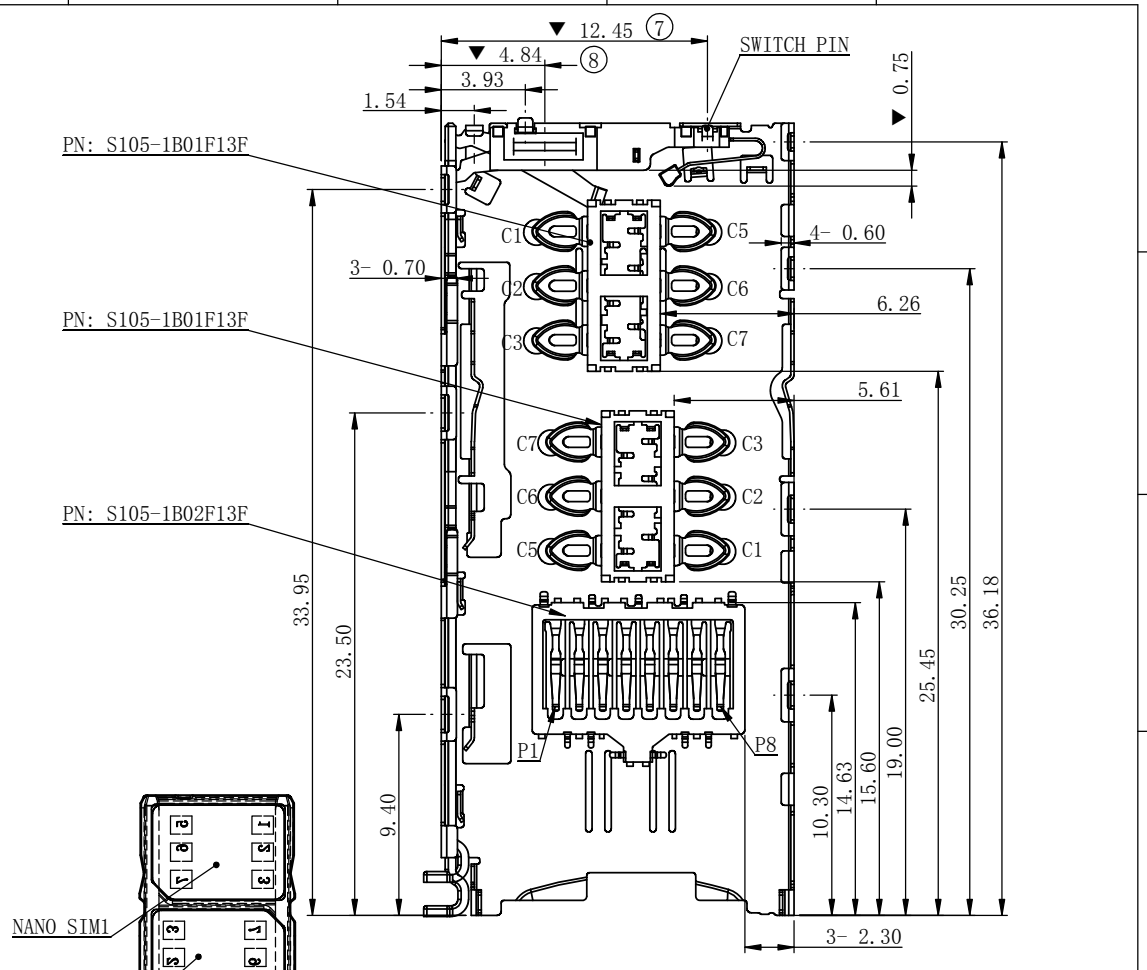
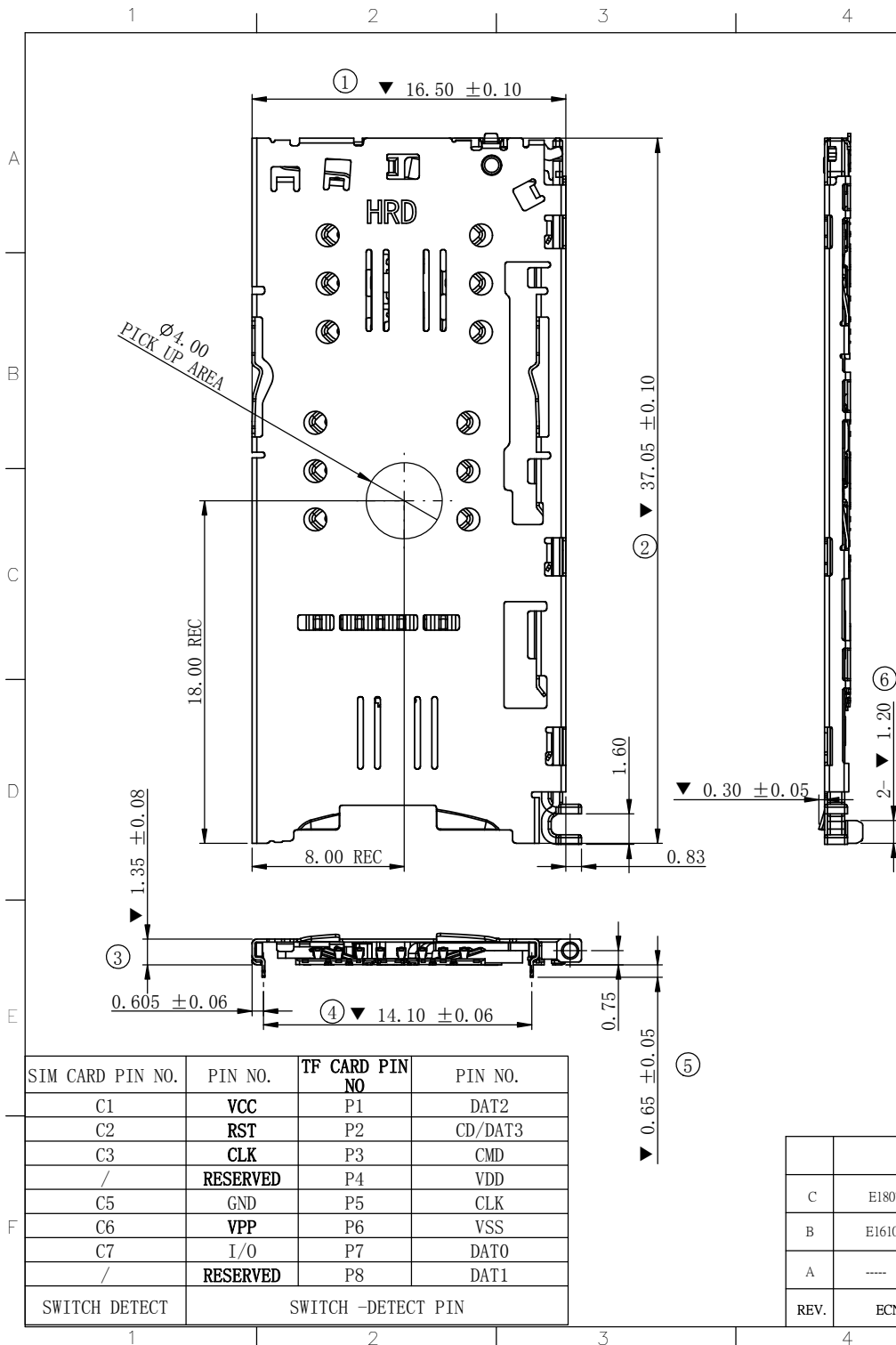


- NOTES:
- PRODUCT SPECIFICATIONS:
 - 1-1: VOLTAGE RATING: 10V
 - 1-2: CURRENT RATING: 0.5A
 - 1-3: INSULATION RESISTANCE: 1000 MEG. OHM MIN
 - 1-4: CONTACT RESISTANCE: INITIAL & AFTER TEST 60m Ω Max;
 - 1-5: OPERATION TEMPERATURE: -25 °C TO +85 °C
 - 1-6: DURABILITY: 3000 CYCLES
 - ALL DIMENSIONS MARKED ▼ MUST BE CONTROLLED BY QC
 - GP PASSED ACCORD WITH HRD-RoHS-219 STANDARD.
 - ALL DIMENSIONS MARKER (XX) MUST BE MEASURED BY FAI.
 - DIMENSIONS WITH MARK "○" MUST BE CHECKED CPK.

ITEM	NAME	QTY	MATERIAL	PLATING SPEC
5	Lever Bar	1	SUS304-3/4H T=0.40mm	N/A
4	lever	1	SUS304-3/4H T=0.50mm	N/A
3	Detect pin	1	C5210-SH T=0.12mm	3u"Min Au plating on contact area 1u"Min Au plating on Solder Tails 50~120u"Ni underplating over all
2	Shield	1	SUS304-3/4H T=0.12mm	1u"Min Au plating on Solder Tails 50~120u"Ni underplating over all
1	Housing	1	LCP E471i	RAW MATERIAL
ITEM	NAME	QTY	MATERIAL	PLATING SPEC

REV.	ECN NO.	DESCRIPTION	DATE	UNITS: mm	GENERAL TOLERANCE	DRAW:	PART NO:
C	E1807265A	增加产品下皆说明	07/18/2018	DATE: 09/01/2016	X. ±0.25 X' ±0.15 .XX ±0.10 .XXX ±0.05	CHECKED:	S153-1B03F13F
B	E1610449A	更新图面PIN定义	10/19/2016	SCALE: 4/1	X." ±3.00 X' ±3.00 .XX ±1.00 .XXX ±0.50	APPROVE:	NAME: 双NANO SIM+TF卡座 组合件 板上1.35H
A	---	NEW	09/01/2016	SHEET: 1/1	TITLE: Customer Drawing		DRAWING NO: C-S153-0000_C
REV.	ECN NO.	DESCRIPTION	DATE	REV. A	FINISH: SEE NOTE		

 昆山捷皇电子精密科技有限公司
HONGRIDA ELECTRONIC TECHNOLOGY CO., LTD.



SIM CARD PIN NO.	PIN NO.	TF CARD PIN NO	PIN NO.
C1	VCC	P1	DAT2
C2	RST	P2	CD/DAT3
C3	CLK	P3	CMD
/	RESERVED	P4	VDD
C5	GND	P5	CLK
C6	VPP	P6	VSS
C7	I/O	P7	DAT0
/	RESERVED	P8	DAT1
SWITCH DETECT	SWITCH -DETECT PIN		

				UNITS: mm	GENERAL TOLERANCE		DRAW:	PART NO: S153-1B03F13F
C	E1807265A	增加产品下皆说明	07/18/2018	DATE: 09/01/2016	X. ± 0.25	X." $\pm 5.00'$	CHECKED:	NAME: 双NANO SIM +TF 卡座 板上1.35H 三选三
B	E1610449A	更新图面PIN定义	10/19/2016	SCALE: 4/1	.XX ± 0.10	.XX" $\pm 1.00'$	APPROVE:	DRAWING NO: C-S153-0000_C
A	----	NEW	09/01/2016	SHEET: 2/3	.XXX ± 0.05	.XXX" $\pm 0.50'$		
REV.	ECN NO.	DESCRIPTION	DATE	REV. B	FINISH: SEE NOTE		昆山捷皇电子精密科技有限公司 HONGRIDA ELECTRONIC TECHNOLOGY CO., LTD.	



A

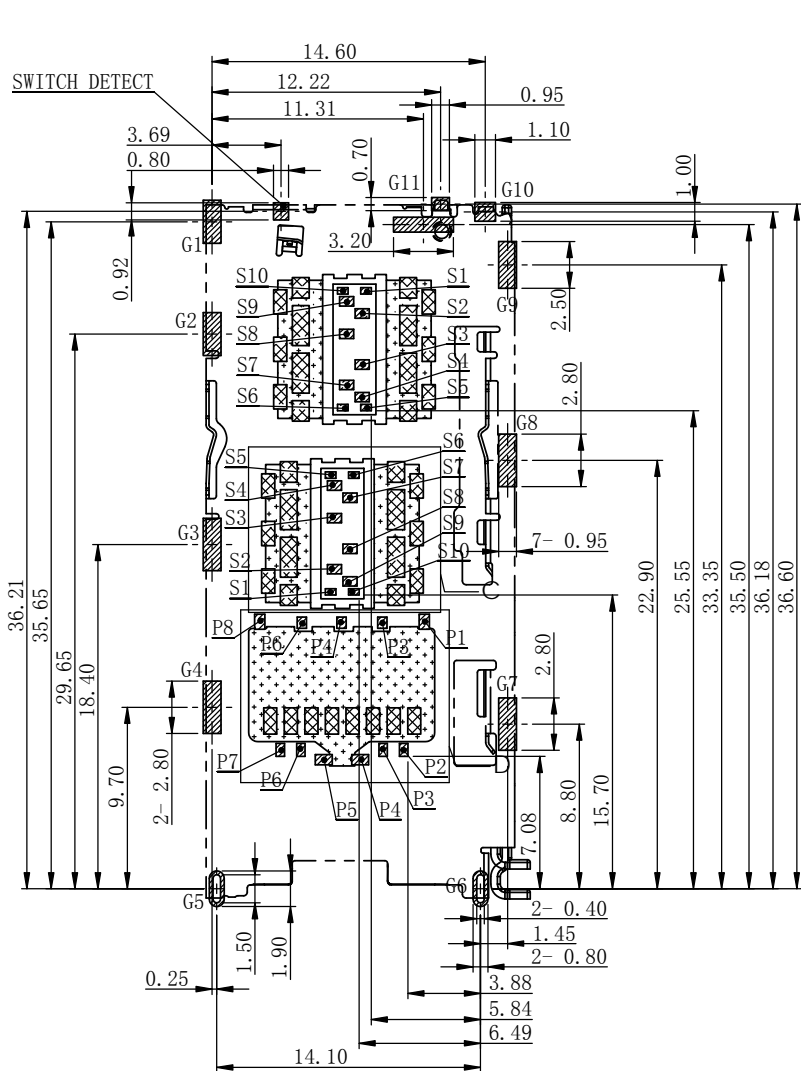
B

C

D

E

F



Soldering Pad Area



Open Wire Restricted Area



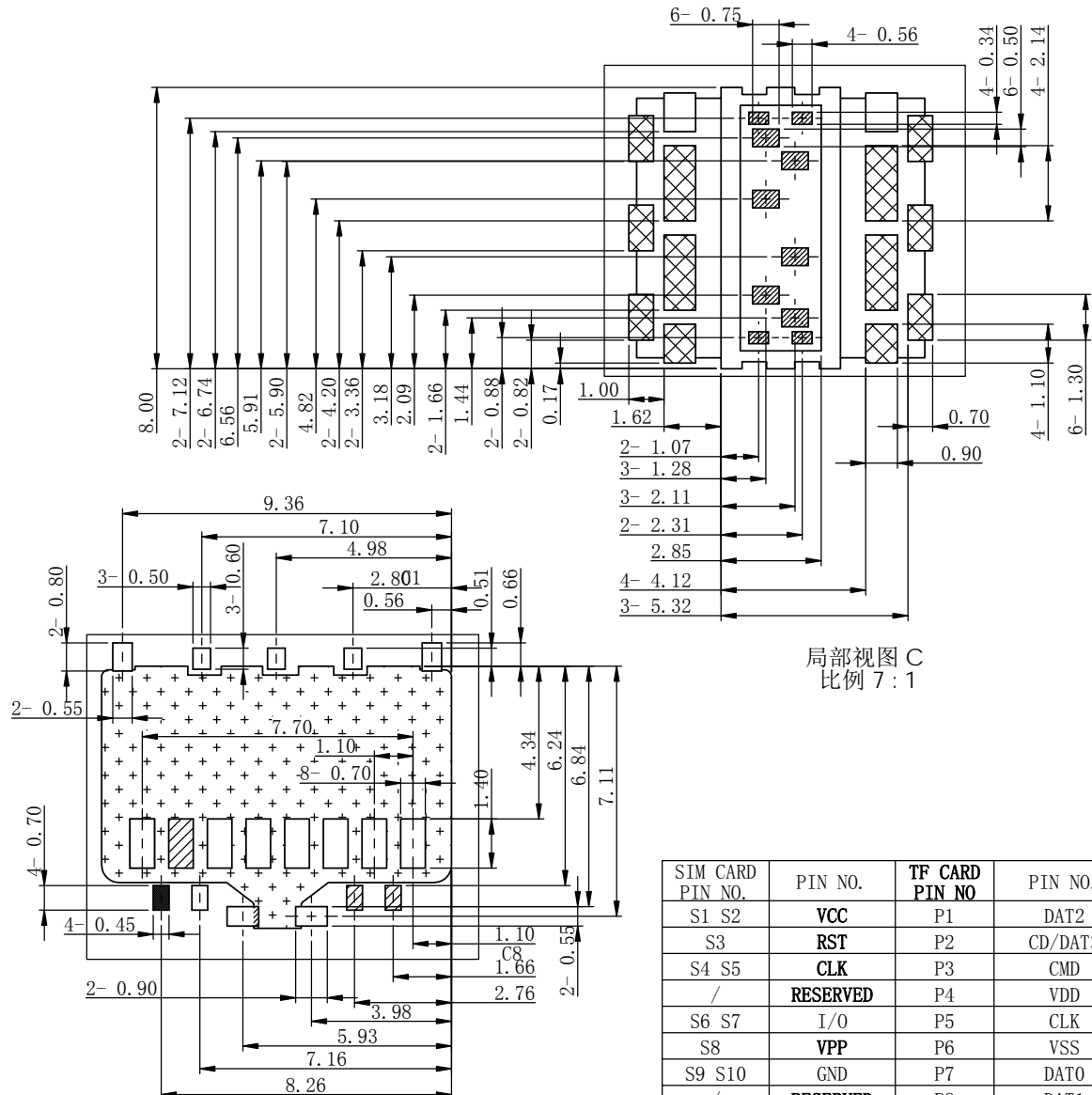
Open Wire & Copper Restricted Area

1. Touch Area Of Contact Tips, No Electrical Function And Only For Mechanical Function
2. No First PCB-layer Circuits In The Area



No Solder Pad Area

1. Touch Area Of Contact Tips, No Electrical Function And Only For Mechanical Function
2. Don't Brush Tin Pasted On The Area During SMT Process



局部视图 C
比例 7:1

局部视图 D
比例 7:1

SIM CARD PIN NO.	PIN NO.	TF CARD PIN NO	PIN NO.
S1 S2	VCC	P1	DAT2
S3	RST	P2	CD/DAT3
S4 S5	CLK	P3	CMD
/	RESERVED	P4	VDD
S6 S7	I/O	P5	CLK
S8	VPP	P6	VSS
S9 S10	GND	P7	DAT0
/	RESERVED	P8	DAT1
SWITCH DETECT	SWITCH -DETECT PIN		

REV.	ECN NO.	DESCRIPTION	DATE	UNITS: mm	GENERAL TOLERANCE	DRAW:	PART NO:
C	E1807265A	增加产品下皆说明	07/18/2018	DATE: 09/01/2016	X. ±0.25 X' ±0.15 .XX ±0.10 .XXX ±0.05	X." ±5.00 X' ±3.00 .XX' ±1.00 .XXX' ±0.50	S153-1B03F13F
B	E1610449A	更新图面PIN定义	10/19/2016	SCALE: 3.5/1		APPROVE:	NAME: 双NANO SIM+TF 卡座 板上1.35H 三选三
A	---	NEW	09/01/2016	SHEET: 2/2	TITLE: Customer Drawing	DRAWING NO:	C-S153-0000_C
				REV. B	FINISH: SEE NOTE		



昆山捷皇电子精密科技有限公司
HONGRIDA ELECTRONIC TECHNOLOGY CO., LTD.