

A

B

C

D

E

F

A

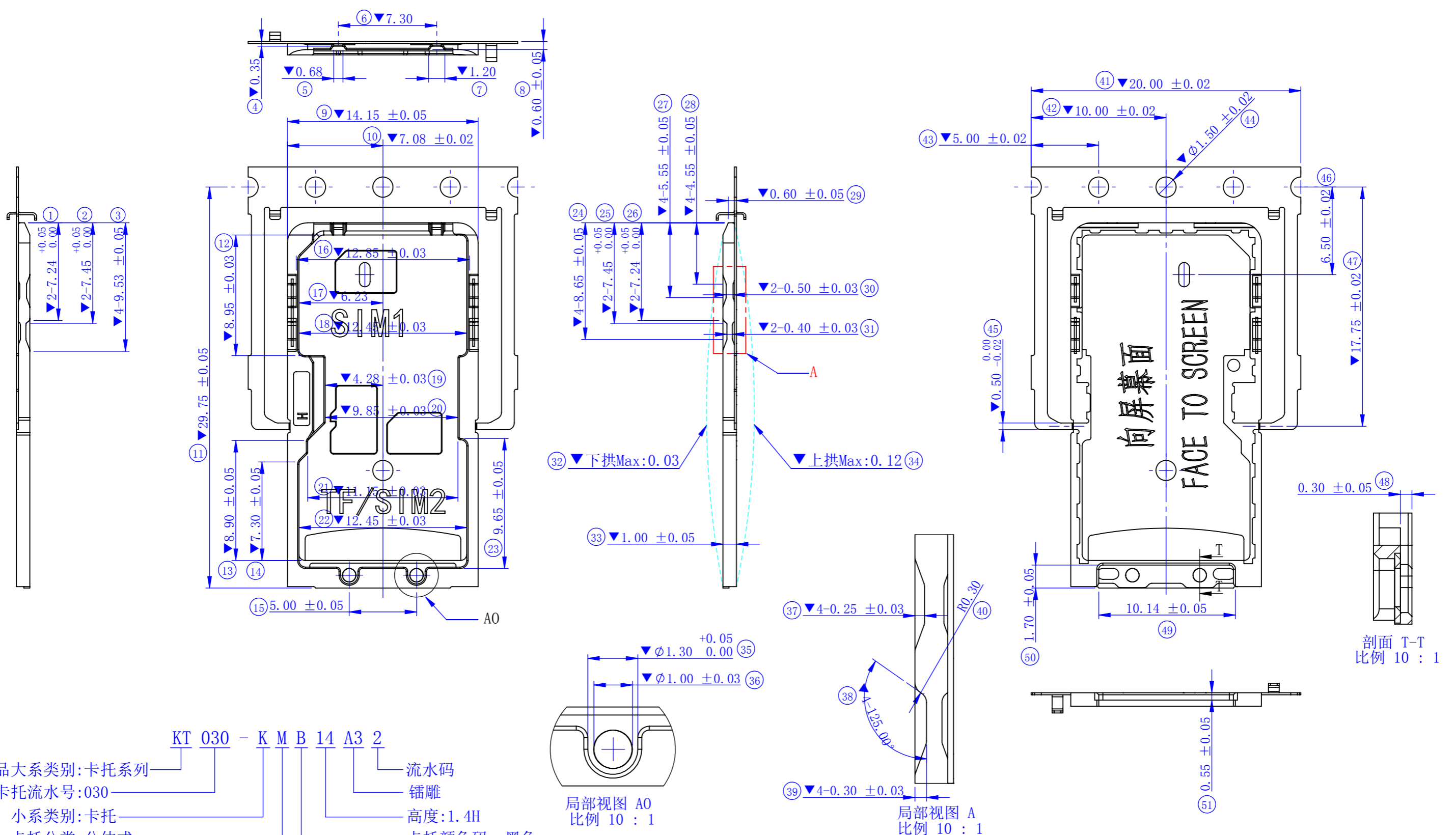
B

C

D

E

F



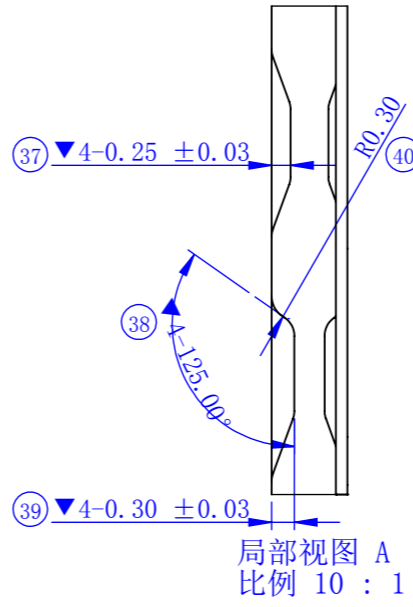
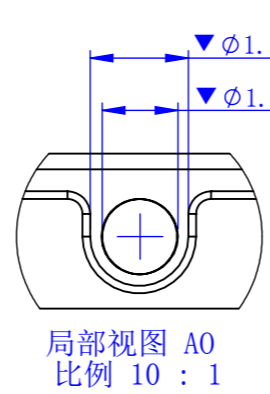
KT 030 - K M B 14 A3 2

产品大系类别: 卡托系列
卡托流水号: 030
小系类别: 卡托
卡托分类: 分体式

流水码
镭雕
高度: 1.4H
卡托颜色码: 黑色

NOTES:

- MATERIAL:
HOUSING: PC 3000S
SHELL: SUS304-3/4H, t=0.15mm.
- GP PASSED ACCORD WITH HRD-RoHS-219 STANDARD.
- THE BURR MUST BE LESS THAN 0.03mm.
- ALL DIMENSIONS MARKED ▼ MUST BE CONTROLLED BY QC.
- ALL DIMENSIONS MARKER (XX) MUST BE MEASURE BY FAI.



剖面 T-T
比例 10 : 1

				UNITS: mm	GENERAL TOLERANCE		DRAW:	PART NO:
				DATE: 03/19/2019	X. ±0.15	X.° ±2.00°	CHECKED:	KT030-KMB14A31
				SCALE: 3.5/1	.X ±0.10	.X° ±1.00°	APPROVE:	TITLE: 双NANO+m-SD 三选二卡托
				SHEET: 1/1	.XX ±0.05	.XX° ±0.50°		DRAWING NO: M-KT030-0001
A	E1903093A	新版图面发行	03/19/2019	REV. A	MATERIAL: 塑胶主体图		昆山捷皇电子精密科技有限公司 HONGRIDA ELECTRONIC TECHNOLOGY CO.,LTD.	
REV.	ECN NO.	DESCRIPTION	DATE	FINISH: SEE NOTE				