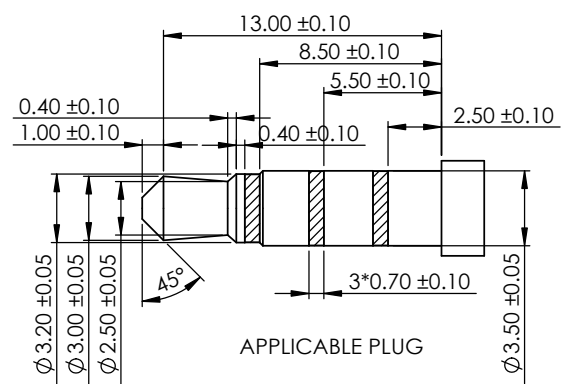
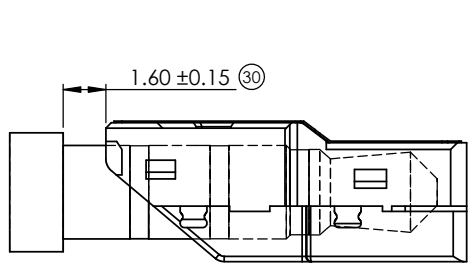


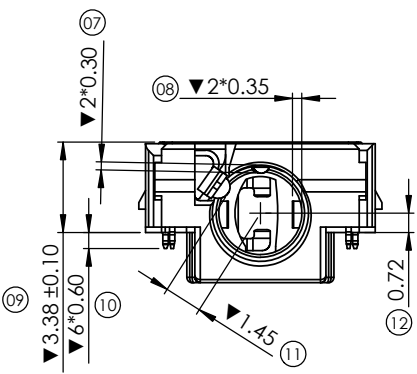
P.C.B LAYOUT (TOLERANCE: ±0.05)



APPLICABLE PLUG



PLUG插入示意图



- NOTES:
- ALL DIMENSIONS MARKED ▼ MUST BE CONTROLLED EVERYDAY BY QC.
 - ALL DIMENSIONS MARKED (XX) MUST BE MEASURED BY FAI
 - PRODUCT SPECIFICATIONS:
 - 3-1 WITHSTANDING: 500V AC/MINUTE
 - 3-2 INSULATION RESISTANCE: 1000 MEGOHM Min. (500V DC for 1 minute)
 - 3-3 CONTACT RESISTANCE: 50 MILLIOHM (initial) Max.
 - 3-4 MATING AND UNMATING FORCE: 0.5-2.0 Kgf. (BTFORE DURABILITY)
 - 3-5 MATING AND UNMATING FORCE: 0.3-2.0 Kgf. (AFTER DURABILITY)
 - 3-6 OPERATION TEMPERATURE: -25° TO +85°
 - 3-7 STORAGE TEMPERATURE: -25° TO +85°
 - 3-8 DURABILITY: 5000 CYCLES

HOUSING	NYLON-9T ,BLACK,UL 94		1
Yellow Mylar	KAPTON T=0.06mm	/	1
DETECT	C5210 T=0.15mm	1u"Min Au PLATED ON SOLDER TAILS AREA 3u"Min Au PLATED ON CONTACT AREA 50u"Min NI PLATED OVER ALL	1
L AUDIO 2	SUS304 T=0.20mm	1u"Min Au PLATED ON SOLDER TAILS AREA 3u"Min Au PLATED ON CONTACT AREA 50u"Min NI PLATED OVER ALL	1
L AUDIO 1			1
R AUDIO	C5210 T=0.20mm		1
GND			1
MIC			1
NAME	MATERIAL	FINISH	Q'TY

REV.	ECN NO.	DESCRIPTION	DATE	REV.	UNITS: mm	GENERAL TOLERANCE	DRAW:	PART NO:
C	E1903082A	成品图增加端子预断管控	03/12/2019	DATE:	mm	X. ±0.25 .X ±0.20 .XX ±0.15 .XXX ±0.08	CHECKED:	PH128-OB34F48M
B	E1808306A	底部塑胶厚度加厚至0.80mm	08/08/2018	SCALE:	5/1	.X' ±2.00 .X' ±1.00 .XX' ±0.50	APPROVE:	TITLE: φ3.50MM PHONE JACK CONN.
A		NEW	05/19/2018	SHEET:	1/1			DRAWING NO: C-PH128-0000
				REV. A		TITLE: CUSTOMER FIGURE		
						FINISH: SEE NOTE		


昆山捷皇电子精密科技有限公司
 HONGRIDA ELECTRONIC TECHNOLOGY CO., LTD.