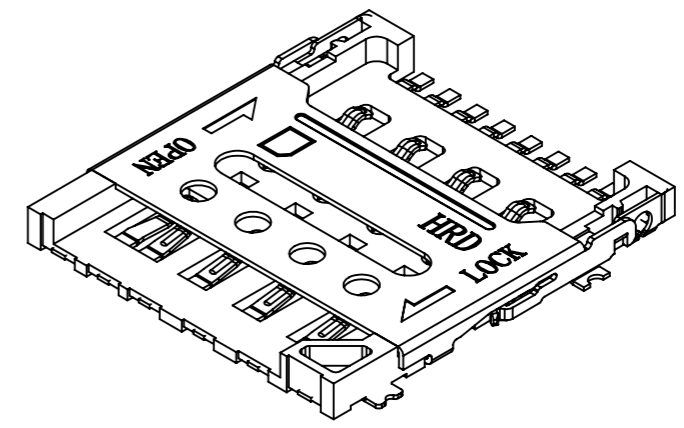
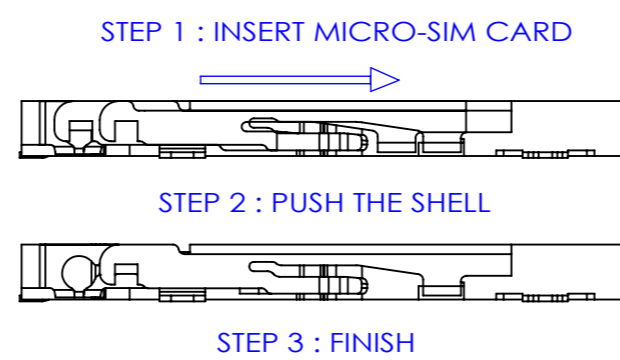


- NOTES:
- MATERIAL:  
HOUSING:LCP, BLACK, UL 94V-0  
CONTACT: PHOSPHOR BRONZE, T=0.15MM  
SHELL: STAINLESS STEEL T=0.20MM
  - FINISH  
CONTACT: 50U" NI MIN PLATING OVER ALL  
GOLD FLASH ON THE CONTACT AREA AND SOLDER AREA  
SHELL: SELECTIVE GOLD FLASH IN SOLDER TAIL AREA  
30U" NI MIN. PLATING OVER ALL
  - ALL DIMENSIONS MARKED ▼ MUST BE CONTROLLED BY QC
  - RATED PARAMETERS OF CONNECTOR  
4-1. Operating temperature: -40a to 70a  
4-2. Rated Current: 0.5A  
4-3. Rated Voltage: 30V DC Per Contact
  - ELECTRICAL MECHANICAL ENVIRONMENTAL  
5-1. Dielectric withstanding Voltage : 500V AC 1min.  
5-2. Insulation Resistance: 1000 MΩMin.  
5-3. Normal Force: 100g Min. Per Pin  
5-4. Durability: 3000 cycles  
5-5. Contact Resistance: 50mΩ MAX.



SIM CARD PIN NO.	PIN NO.
P1	VCC
P2	RST
P3	CLK
P4	RESERVED
P5	GND
P6	VPP
P7	I/O
P8	RESERVED
G1	SWITCH PIN

D	E1905221A	放宽平面度公差	05/15/2019	UNITS: mm	GENERAL TOLERANCE		DRAW:	PART NO: S81-1B08F15A
C	E1708259A	优化产品, 满足自动化组装	08/10/2017	DATE: 03/25/2015	X. ±0.20	X.° ±2.00°	CHECKED:	TITLE: 掀盖MIC SIM CARD 成品H=1.50mm 带检测脚
B	E1706166A	修改图面与实物相符	06/22/2017	SCALE: 5/1	.XX ±0.10	.XX° ±1.00°	APPROVE:	DRAWING NO:
A	---	NEW	03/25/2015	SHEET: 1/1	.XXX ±0.05			
REV.	ECN NO.	DESCRIPTION	DATE	REV. A	MATERIAL:	FINISH: SEE NOTE	昆山捷皇电子精密科技有限公司 HONGRIDA ELECTRONIC TECHNOLOGY CO.,LTD.	