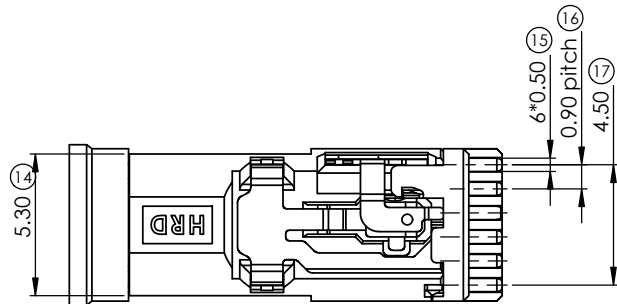
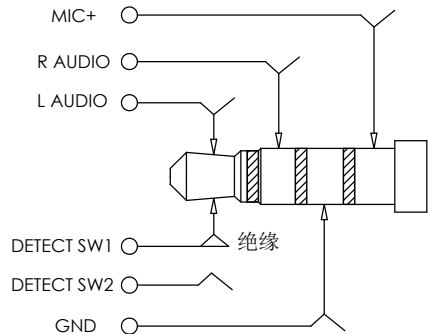
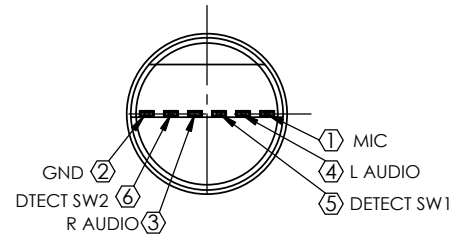
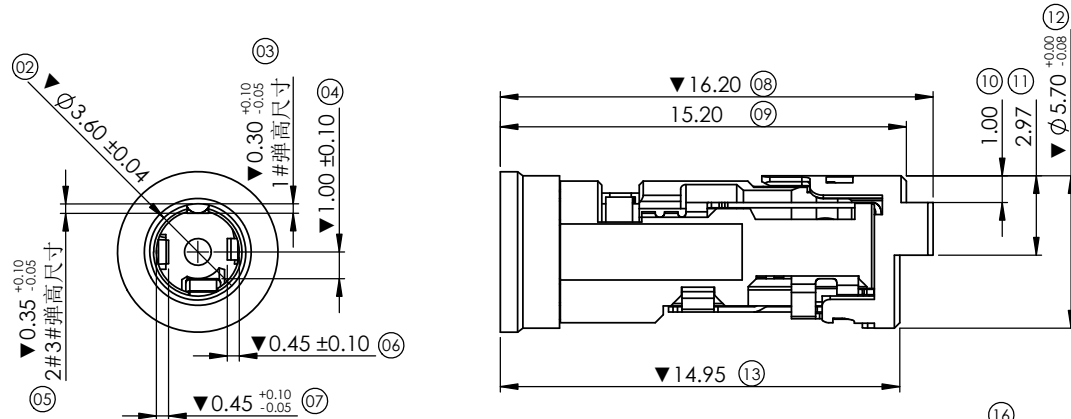
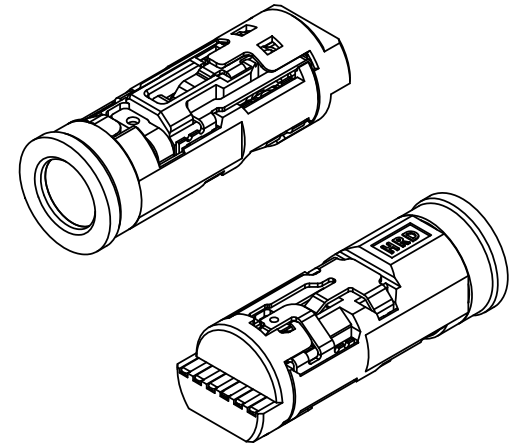
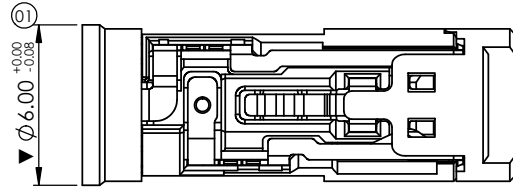
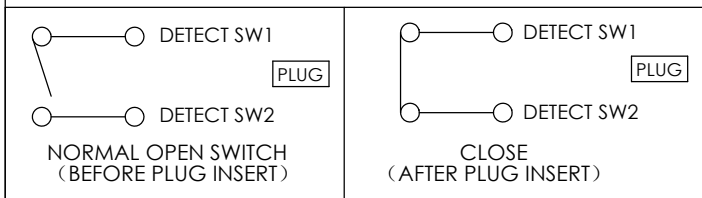


NO.	DESCRIPTION
1	MIC
2	GND
3	R AUDIO
4	L AUDIO
5	DETECT SW1
6	DETECT SW2

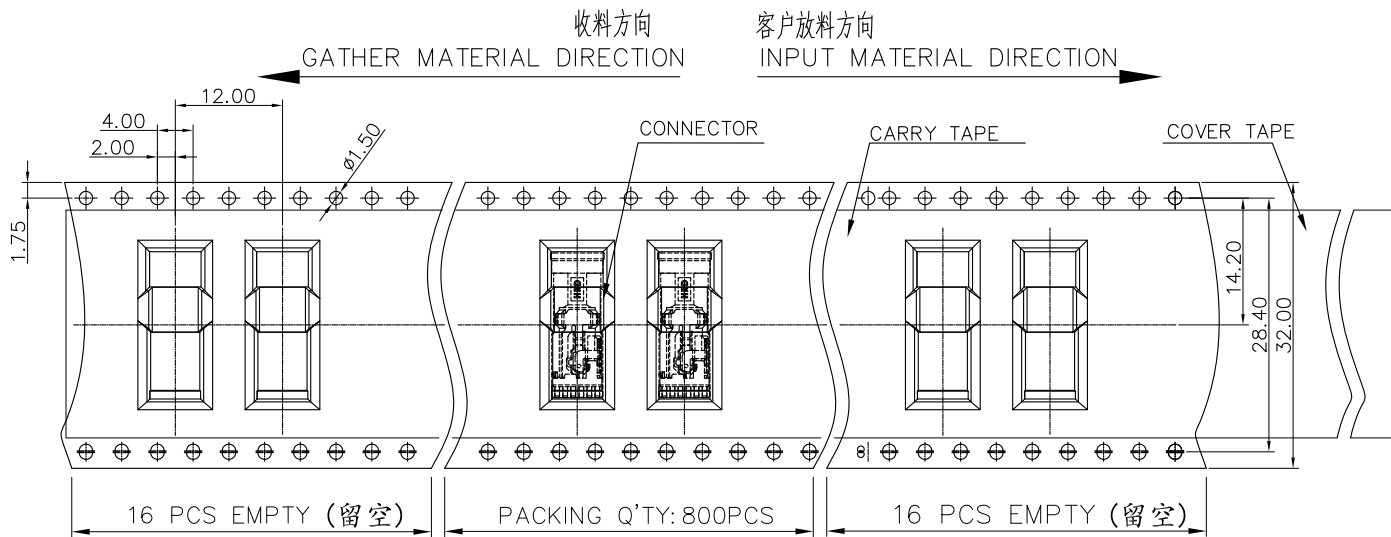


- NOTES:
- MATERIAL:
 TERMINAL: ①/②/③ C7025 T=0.20mm, ④ C7035 T=0.20mm, ⑤/⑥ C5210-H T=0.20mm
 COVER: ⑦ PA9T, UL 94-V0, WHITE
 HOUSING: ⑧ PA9T, UL 94-V0, WHITE
 CAP: ⑨ SUS
 - FINISH:
 CONTACT: Au 15u"Min PLATING ON CONTACT AREA
 Au 1u"Min PLATING ON SOLDERTAILS AREA
 Ni 80u"Min PLATING OVER ALL
 - ALL DIMENSIONS MARKED ▼ MUST BE CONTROLLED BY QC
 - ALL DIMENSIONS MARKED (XX) MUST BE MEASURED BY FAI
 - PRODUCT SPECIFICATIONS:
 5-1 WITHSTANDING: 500VAC/MINUTE
 5-2 CONTACT RESISTANCE:
 CONTACT PIN: 15 MILLIOHM (initial) Max.
 DETECT PIN: 50 MILLIOHM (initial) Max.
 5-3 INSULATION RESISTANCE: 1000 MEGOHM Min.(500V DC for 1 minute)
 5-4 MATING AND UNMATING FORCE : 7-20 N . (BTFORE DURABILITY)
 5-5 MATING AND UNMATING FORCE : 5-20 N Kgf . (AFTER DURABILITY)
 5-6 OPERATION TEMPERATURE : -40° TO +70°
 5-7 STORAGE TEMPERATURE : -40° TO +70°
 5-8 DURABILITY : 5000 CYCLES

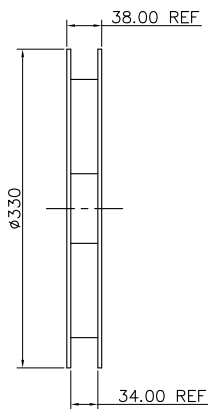
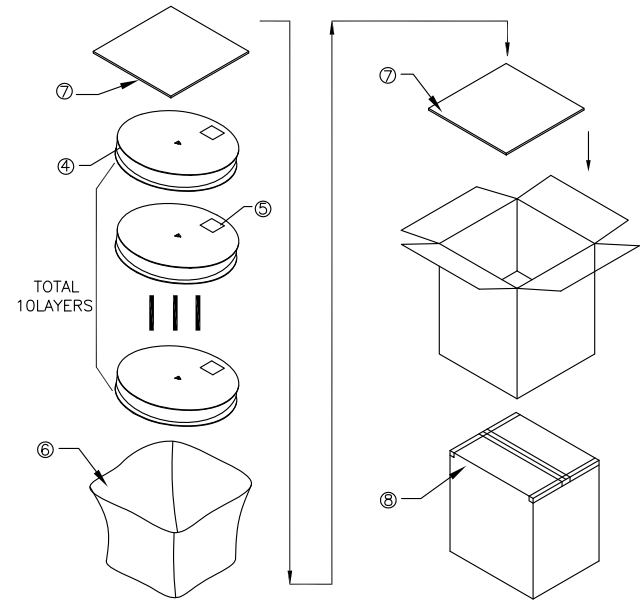


REV.	ECN NO.	DESCRIPTION	DATE	UNITS: mm	GENERAL TOLERANCE	DRAW:	PART NO:
				DATE: 05/20/2017	X. ±0.30 .X ±0.20 .XX ±0.15 .XXX ±0.08	CHECKED:	PH90-0B06C56A
B	E1707224A	更新图面	08/01/2017	SCALE: 5/1	X.' ±2.00' .X' ±1.00' .XX' ±0.50'	APPROVE:	NAME: Ø3.50MM PHONE JACK CONN.
A		NEW	05/20/2017	SHEET: 1/1	TITLE: CUSTOMER DRAWING		DRAWING NO: C-PH90-0000
				REV. A	FINISH: SEE NOTE		

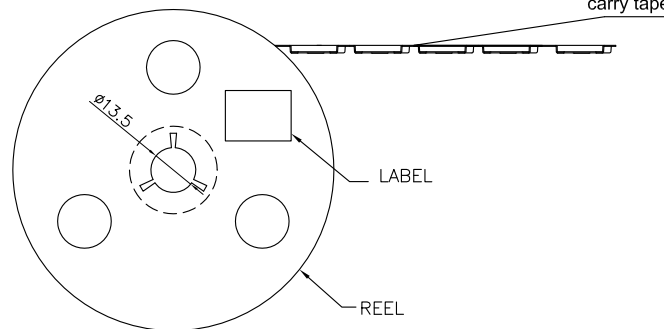
昆山捷皇电子精密科技有限公司
HONGRIDA ELECTRONIC TECHNOLOGY CO., LTD.



PH90-0B06C56A 包装示意图



客户放料方向
INPUT MATERIAL DIRECTION



BOM:

NO.	NAME	P/N	SPEC.	Q'TY
①	PHONE JACK	PH90-0B06X56A		8000PCS
②	CARRY TAPE	R32-PH905600	PS,W=32.0,P=12.0	99.84m
③	COVER TAPE	C32-01000000	PE,W=25.5,T=0.05	99.84m
④	REEL	P32-01100000	$\phi 330,H=32.0$	10PCS
⑤	PE袋	G01-00907007	900*700*0.07	1PCS
⑥	纸箱	W01-01353539	350*350*390	1PCS

3				
2				
1	R32-PH905600	PS	WHITE	
NO.	DESCRIPTION	MAT,L	COLOR	REMARK

				UNITS: mm	GENERAL TOLERANCE		DRAW:	PART NO: P-PH90-0B06C56A
				DATE: 06/28'2017	X. ± 0.30	X.' $\pm 2.00'$	CHECKED:	NAME: $\phi 3.5\text{MM}$ PHONE JACK CONN.
				SCALE: N/A	.X ± 0.20	.X' $\pm 1.00'$	APPROVE:	DRAWING NO: C-PH90-0001
A		NEW	06/28'2017	SHEET: 1/1	.XX ± 0.15		TITLE: PACKAGING DRAWING	
REV.	ECN NO.	DESCRIPTION	DATE	REV. A	.XXX ± 0.08		FINISH:	


 昆山捷皇电子精密科技有限公司
 HRD ELECTRONIC TECHNOLOGY CO.,LTD.