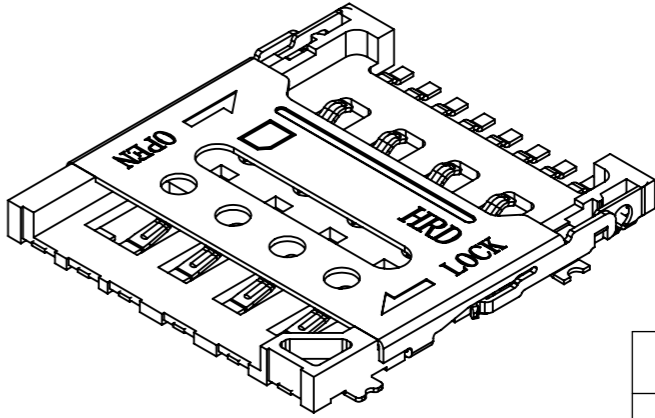
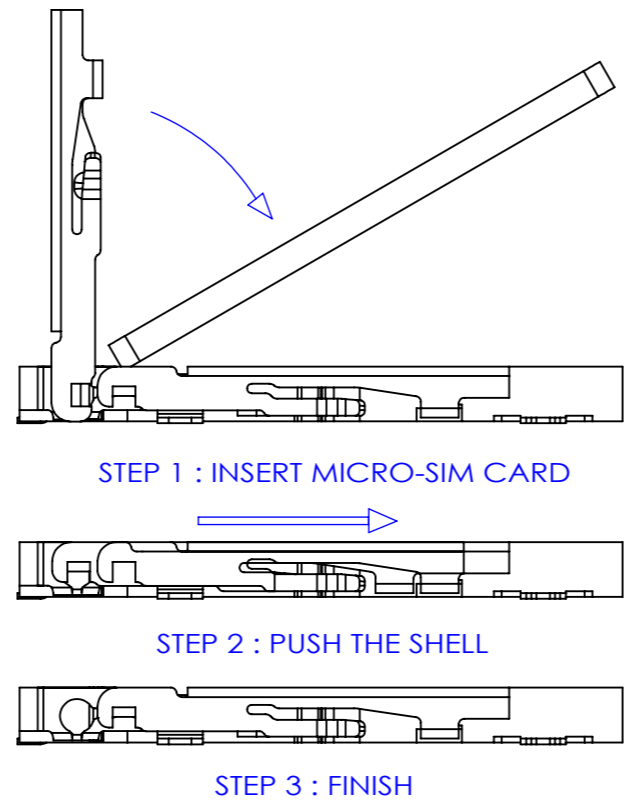


NOTES:

- 1.MATERIAL:  
HOUSING:LCP,BLACK,UL 94V-0  
CONTACT:PHOSPHOR BRONZE,T=0.15MM  
SHELL:STAINLESS STEEL T=0.20MM
- 2.FINISH  
CONTACT: 50U" NI MIN PLATING OVER ALL  
GOLD FLASH(1-3U") ON THE CONTACT AREA AND SOLDER AREA  
SHELL:SELECTIVE GOLD FLASH(1-3U") IN SOLDER TAIL AREA  
30U" NI MIN. PLATING OVER ALL
- 3.ALL DIMENSIONS MARKED ▽ MUST BE CONTROLLED BY QC
- 4.RATED PARAMETERS OF CONNECTOR  
4-1.Operating temperature: -40°C to 70°C  
4-2.Rated Current: 0.5A  
4-3.Rated Voltage: 30V DC Per Contact
- 5.ELECTRICAL MECHANICAL ENVIRONMENTAL  
5-1.Dielectric withstanding Voltage : 500V AC 1min.  
5-2.Insulation Resistance: 1000 MΩMin.  
5-3.Normal Force: 100g Min. Per Pin  
5-4.Durability: 3000 cycles  
5-5.Contact Resistance: 50mΩ MAX.



SIM CARD PIN NO.	PIN NO.
P1	VCC
P2	RST
P3	CLK
P4	RESERVED
P5	GND
P6	VPP
P7	I/O
P8	RESERVED

D	E1905221A	放宽平面度公差	05/15/2019	UNITS: mm	GENERAL TOLERANCE		DRAW:	PART NO: S81-OB08F15A
C	E1708259A	优化产品结构, 满足自动化组装	2017/08/11	DATE: 03/25/2015	X. ±0.20	X.° ±2.00°	CHECKED:	TITLE: 掀盖MIC SIM CARD 成品H=1.50mm 不带检测脚
B	E1706166A	修改图面与实物相符	06/22/2017	SCALE: 5/1	.XX ±0.10	.XX° ±0.50°	APPROVE:	DRAWING NO:
A	---	NEW	03/25/2015	SHEET: 1/1	MATERIAL:		昆山捷皇电子精密科技有限公司 HONGRIDA ELECTRONIC TECHNOLOGY CO.,LTD.	
REV.	ECN NO.	DESCRIPTION	DATE	REV. A	FINISH: SEE NOTE			