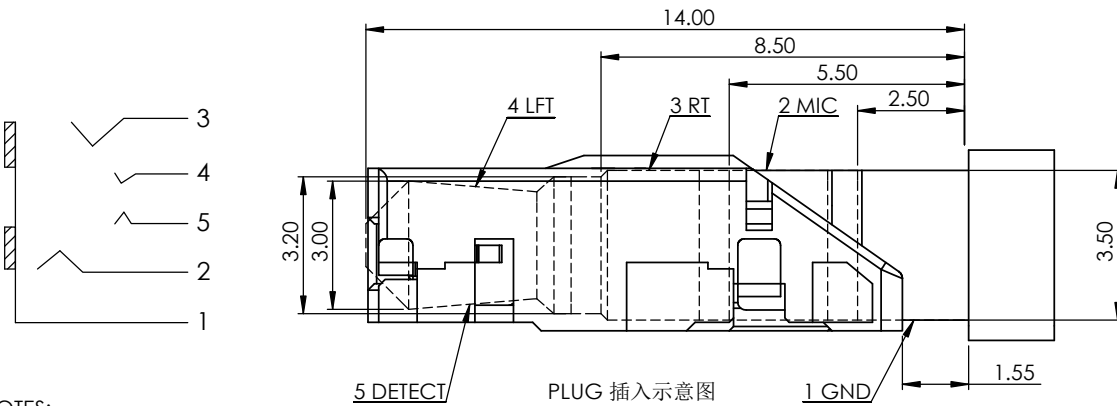
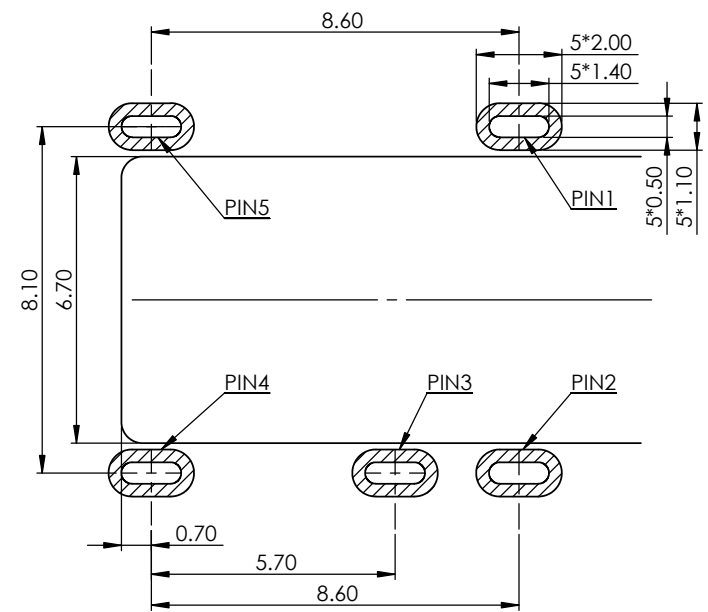
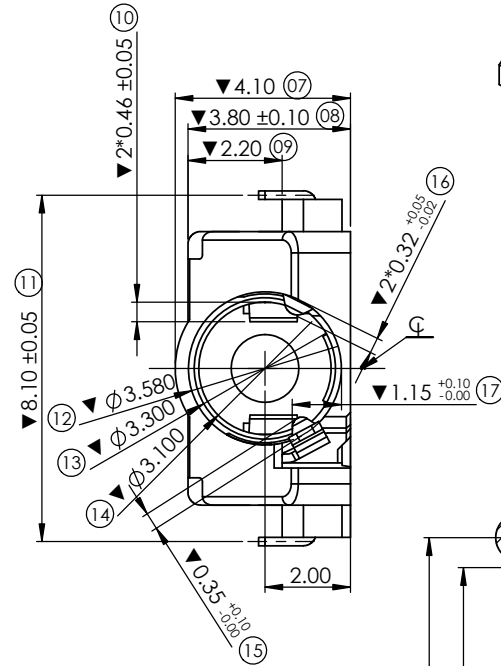
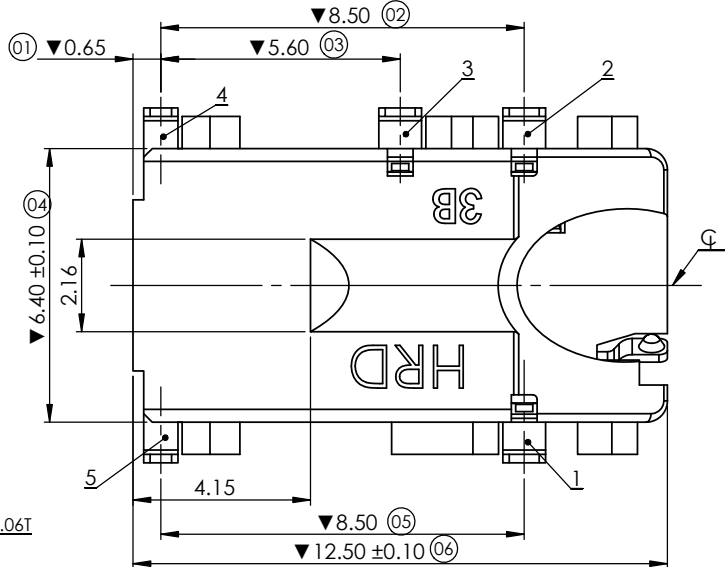
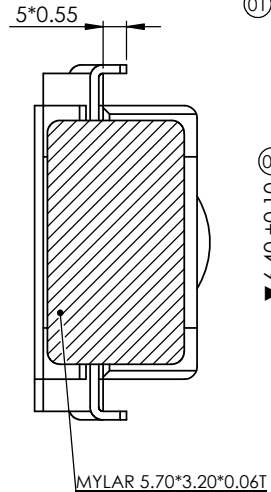
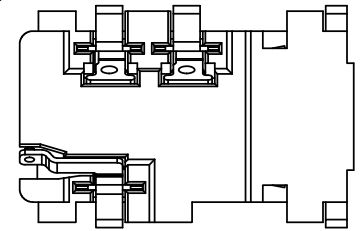
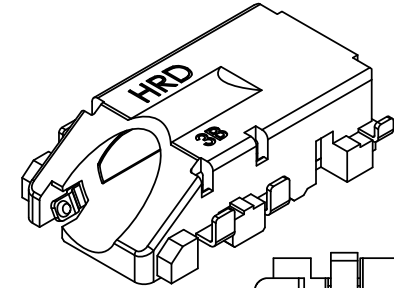
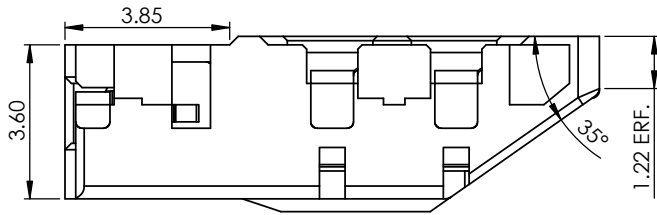


NO	DESCRIPTION
1	GND
2	MIC
3	RT
4	LET
5	DETECT



NOTES:
 1.MATERIAL:
 BODY:PA 9T, BLACK, UL 94V-0
 TERMINAL: 1#/2#/3# COPPER ALLOY, T=0.20mm
 4#/5# STAINLESS STEEL, T=0.20mm $\triangle B$
 2.FINISH:
 TERMINA: 50u" MIN Ni UNDER PLATING OVER ALL
 1U" MIN AU UNDER PLATING OVER ALL
 3.ALL DIMENSIONS MARKED ∇ MUST BE CONTROLLED BY QC
 4.ALL DIMENSIONS MARKER (XX) MUST BE MEASURE BY FAI.

REV.	ECN NO.	DESCRIPTION	DATE	REV.	A	FINISH: SEE NOTE	UNITS: mm	GENERAL TOLERANCE	DRAW:	PART NO:
								X. ±0.20 X' ±0.15 .XX ±0.10 .XXX ±0.05	X. ±2.00 X' ±1.00 .XX ±0.50	PH23-3B16F38M
B	E1607289A	4# 5#换不锈钢材质	07/28*2016	SCALE:	8 / 1				CHECKED:	TITLE: ϕ 3.5MM PHONE JACK CONN. 反沉沉板2.20mm * H=3.80mm
A		NEW	06/03*2016	SHEET:	1 / 1				APPROVE:	DRAWING NO:



昆山捷皇电子精密科技有限公司
 HONGRIDA ELECTRONIC TECHNOLOGY CO., LTD.