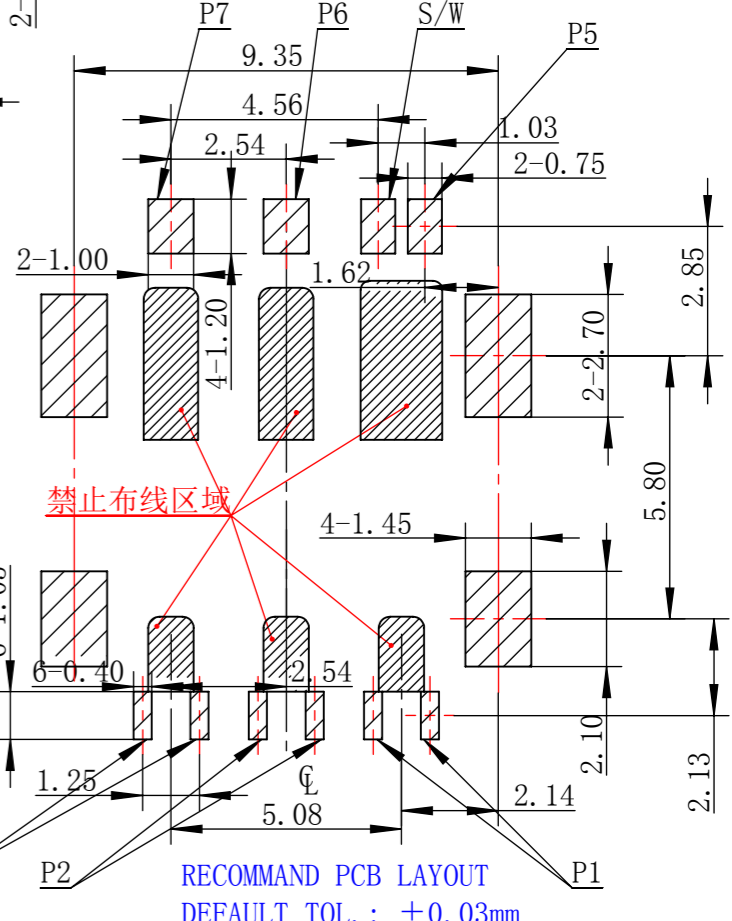
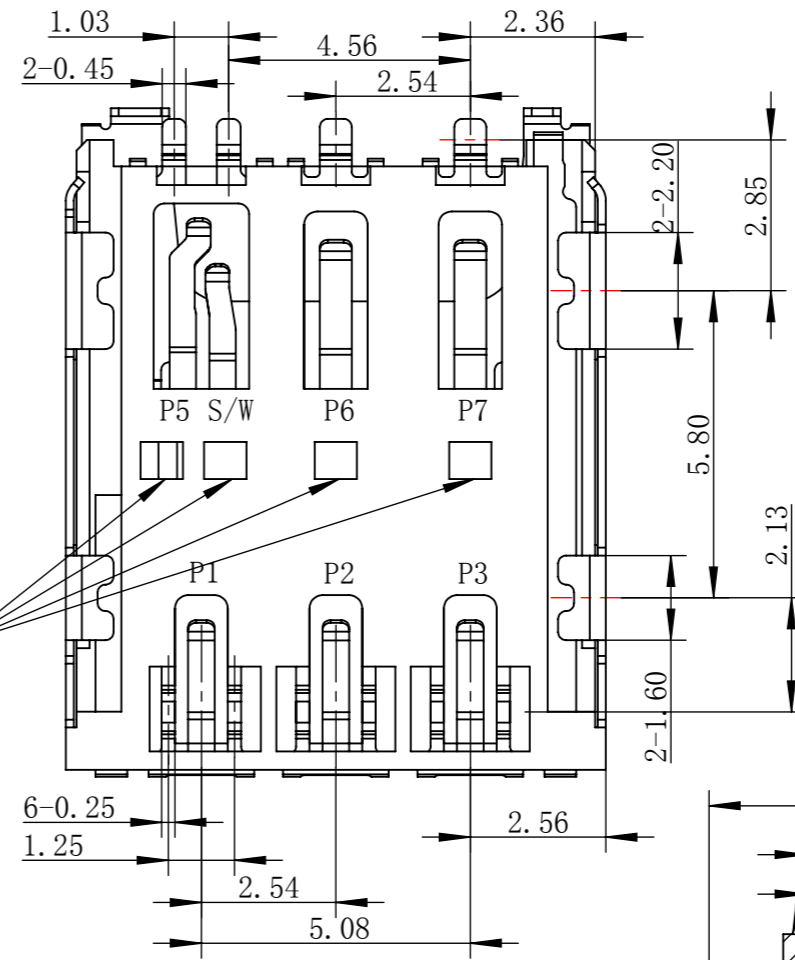
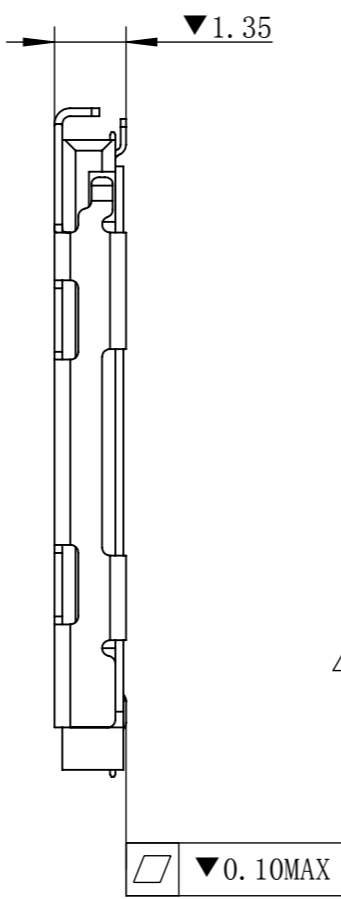
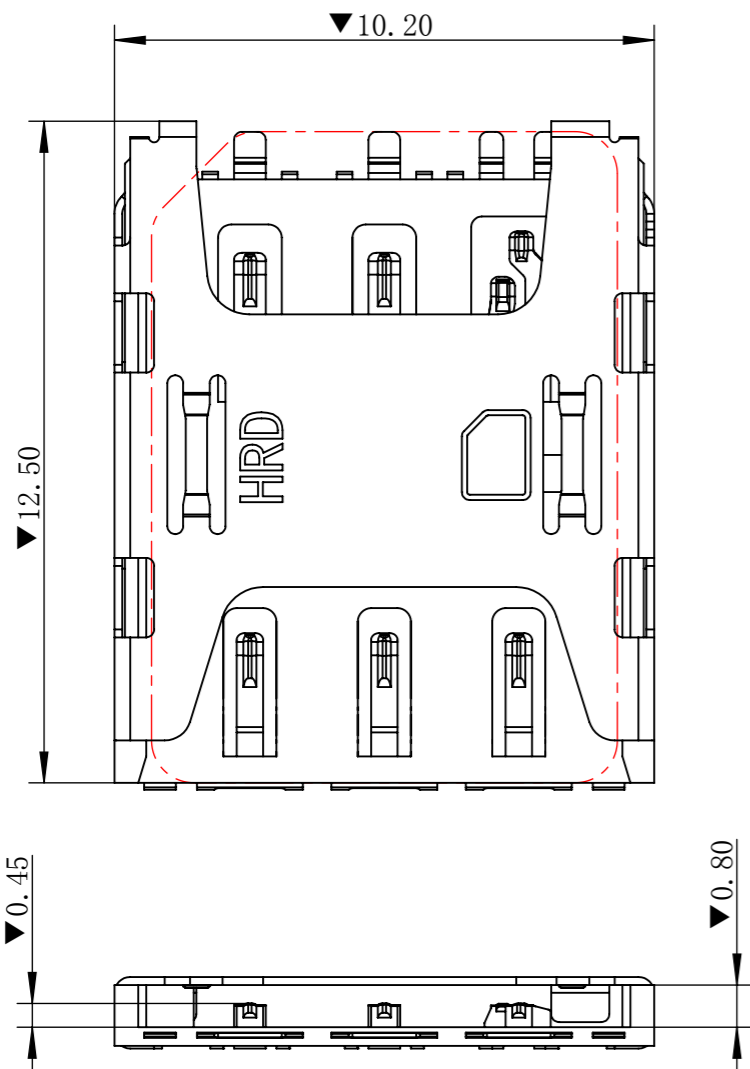
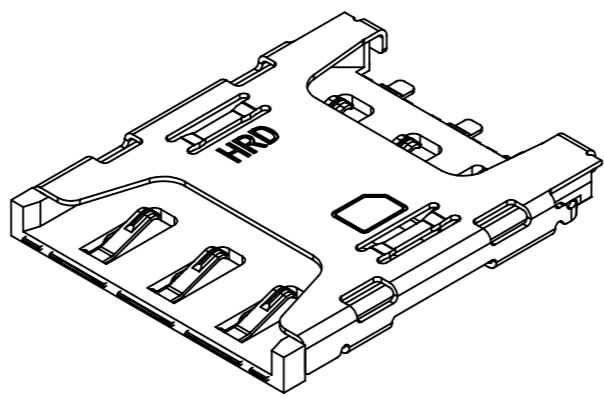


1 2 3 4 5 6 7 8

A  
B  
C  
D  
E  
F




- NOTES:
- MATERIAL:  
HOUSING: LCP, BLACK, UL 94V-0  
CONTACT: PHOSPHORBRONZE, T=0.10MM  
SHELL: STAINLESS STEEL T=0.15MM
  - FINISH  
CONTACT: 50u" NI MIN PLATING OVER ALL  
1u" AU ON THE CONTACT AREA AND SOLDER AREA  
SHELL: SELECTIVE GOLD FLASH IN SOLDER TAIL AREA  
50u" NI MIN. PLATING OVER ALL
  - ALL DIMENSIONS MARKED ▼ MUST BE CONTROLLED BY QC
  - ALL DIMENSIONS MARKER (XX) MUST BE MEASURED BY FAI
  - GP PASSED ACCORD WITH HRD-RoHS-219 STANDARD.
  - RATED PARAMETERS OF CONNECTOR  
6-1. Operating temperature: -40° C to 70° C  
6-2. Rated Current: 0.5A  
6-3. Rated Voltage: 30V AC/DC Per Contact  
6-4. Contact Resistance: 100mΩ MAX
  - ELECTRICAL MECHANICAL ENVIRONMENT  
7-1. Dielectric withstanding Voltage : 500V AC 1min.  
7-2. Insulation Resistance: 1000 MΩ Min.  
7-3. Normal Force : 0.03~0.10Kg min  
7-4. Switch PIN positive force : 20gf. Min  
7-5. Insertion Force: 1.0Kg max  
7-6. Push-out Force: 0.2Kg min  
7-7. Durability: SIM CARD 3000 cycles, m-SD 3000 cycles.
  - PURE SALT SPRAY TEST REQUIREMENTS FOR CLAMP MOMMNER 24H.



SIM CARD PIN NO.	PIN NO.
P1	VCC
P2	RST
P3	CLK
P4	RESERVED
P5	GND
P6	VPP
P7	I/O
P8	RESERVED
S/W	SWITCH PIN

RECOMMEND PCB LAYOUT  
DEFAULT TOL. : ±0.03mm

			UNITS: mm	GENERAL TOLERANCE		DRAW:	PART NO:
			DATE: 06/17/2015	X. ±0.25	X.° ±5.00°	CHECKED:	S98-0B07F13A
			SCALE: 6/1	.X ±0.15	.X° ±3.00°	APPROVE:	TITLE: NANO SIM CARD H=1.35mm
B	E1709294A	增加观察孔 杜绝短路风险	09/01/2017	.XX ±0.10	.XX° ±1.00°		DRAWING NO:
A		NEW	06/17/2015	.XXX ±0.05			
REV.	ECN NO.	DESCRIPTION	DATE	SHEET: 1/1	MATERIAL:	 昆山捷皇电子精密科技有限公司 HONGRIDA ELECTRONIC TECHNOLOGY CO., LTD.	
				REV. A	FINISH: SEE NOTE		

1 2 3 4 5 6 7 8